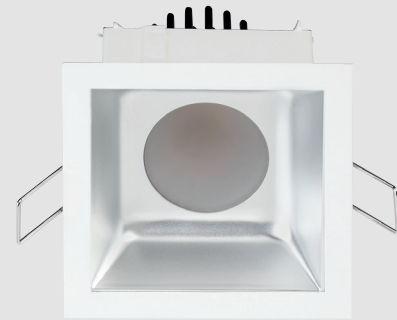


| | |
|-------------|----------|
| Catalog # | Quantity |
| Project | |
| Notes | Date |
| Prepared by | |



3" LED/Capela™

LED 3" Square Regressed Lens Micro Flange Downlight, 700-1300 Lumens

2700K 3000K 3500K 4000K



Features

Optics

Soft glow clear, specular clear and white finishes
Efficient optical design
15, 30, and 45 degree beam spreads
Frosted polycarbonate regressed lens

Controls

0-10V to 10% driver standard
0-10V to 1%, 0-10V to 0.1%, Lutron, & Triac/Forward phase options

Construction

Self-flanged or micro-flanged cold-rolled steel housing
Polyester powder coat
Torsion springs for maximum ceiling retention
IC-rated up to 2,000 lumens
Optional new construction frame with quick connect

Electrical

High flux CoB array
80+ CRI standard, 90+ CRI optional
2700K, 3000K, 3500K, 4000K standard
70% lumen maintenance at 50,000 hours
Tested according to LM-79 and LM-80 standards
120 - 277V Universal Input standard

Listings

ETL certified; wet location under covered ceiling
Meets UL 1598 and UL 8750 requirements
Energy Star certified
Buy American Act

Warranty

5-year limited warranty. Complete warranty terms located at:
<http://vantageltg.com/product-warranty/>

Ordering Information

EXAMPLE: V3CRSM-0730K-S3040-SGC-N-WHT

| Series/Source | Voltage | Nominal Lumens | Kelvin | Reflector | Finish | Distribution | Flange Color | Options |
|---|---|-------------------------|--|-----------|-------------------|--------------|--------------|--|
| V3CRSM 3" square, Regressed Micro Flange | U - 120V-277V 1 - 120 Volts ¹ 3 - 347 Volts ³ | -07 - 700 -13 - 1300 | 27K - 2700K 30K - 3000K 35K - 3500K 40K - 4000K | S3040 | SCL SGC WHT | N M W | WHT BLK | DL-2 ² DL-3 ² EM ² HCR LDE1 ² NCFAQ TDM ¹ XDM ² ZDM ² |

Reflector Finish Options

SCL - Specular Clear
SGC - Soft Glow Clear
WHT - White Polycarbonate

Distribution Options

N - 15° Distribution
M - 30° Distribution
W - 45° Distribution

Options

DL-2² - Lutron 2 wire Hi-Lume Dimming Driver.
DL-3² - Lutron 3 wire Hi-Lume Dimming Driver.
EM² - Emergency battery back-up. Remote test button & indicator Light
HCR - 90+ CRI

LDE1² - Lutron EcoSystem Fade-to-Black™
NCFAQ - New Construction Frame Advanced Quick connect
TDM¹ - Triac Dimming Driver (Forward Phase)
XDM² - 0-10V 0.1% Dimming
ZDM² - 0-10V 1% Dimming

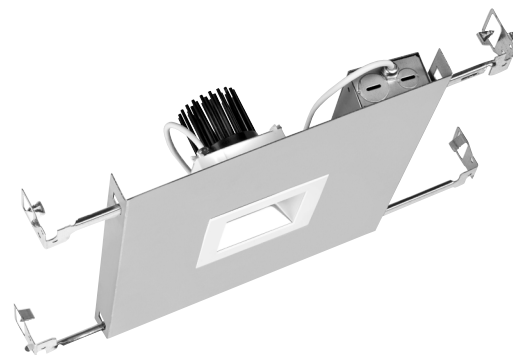
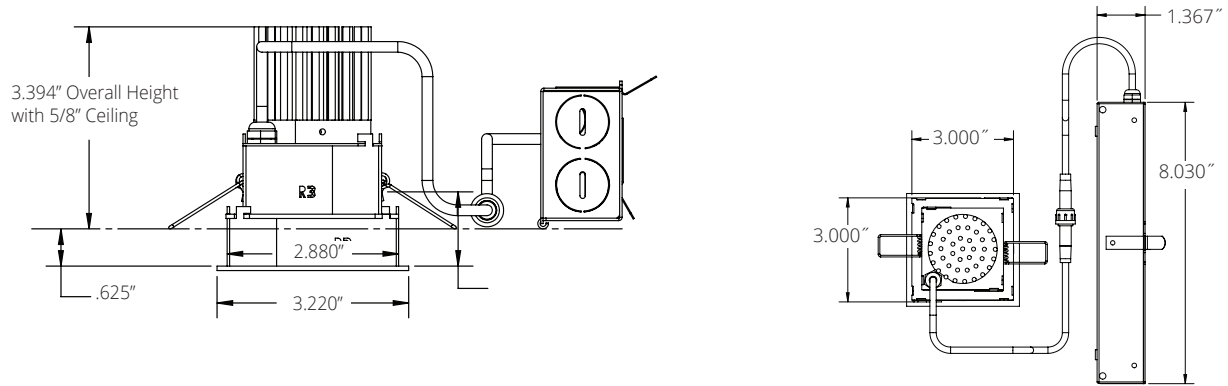
Notes

¹TDM - available only in 120V
²Lutron Drivers - please consult factory
³Step-down Transformer

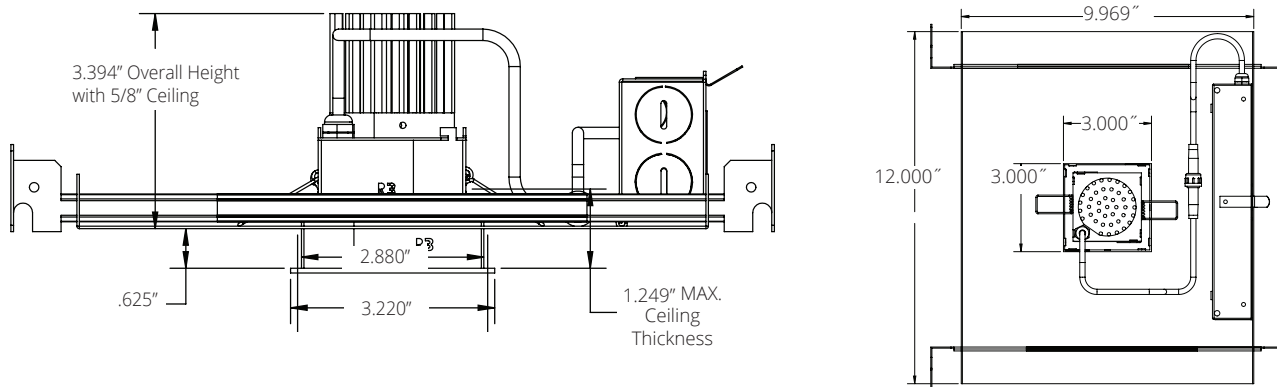
Vantage reserves the right to change components, finishes or design details in any manner which does not alter the installed appearance or reduce performance and intended function. | Capela™ is a trademark of Vantage Lighting.

Dimensional Data: LED 3" Square Regressed Lens Micro Flange Downlight

Ceiling Cut Out 3.000x3.000 Square"



Ceiling Cut Out 3.000x3.000" Square



Lumens/Wattage

| Nominal Lumens | Wattage* | CCT* |
|----------------|----------|-------|
| 700 | 7.56 | 3500K |
| 1300 | 12.7 | 3500K |

*Actual Wattage/Lumens may vary.

Emergency Lumen Output

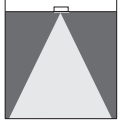
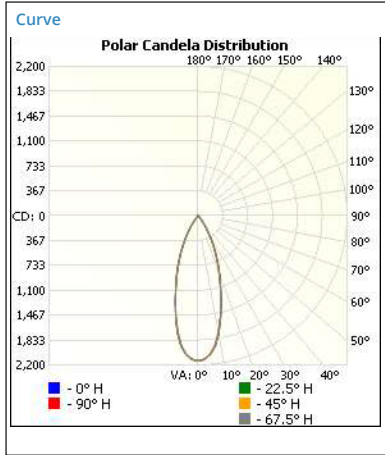
| Nominal Lumens | Wattage* | CCT* |
|----------------|----------|-------|
| 300 | 2.5 | 3500K |

*Actual Wattage/Lumens may vary.

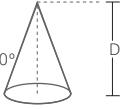
Photometrics

15° Distribution

Test Number
 103233437CRT-018
Diver
 BRIDGELUX VERO 13
Model
 V3CRSU-0735K-N
Lumens
 955.5
Efficacy
 102.4
SC
 0.936

Cone of Light



| | Center Beam fc | Beam Width | |
|------|----------------|------------|-----|
| 1.7 | 741 | 1.1 | 1.1 |
| 3.3 | 197 | 2.1 | 2.1 |
| 5.0 | 85.6 | 3.2 | 3.2 |
| 6.7 | 47.7 | 4.3 | 4.9 |
| 8.3 | 31.1 | 5.3 | 5.4 |
| 10.0 | 21.4 | 6.4 | 6.5 |

Candela Table


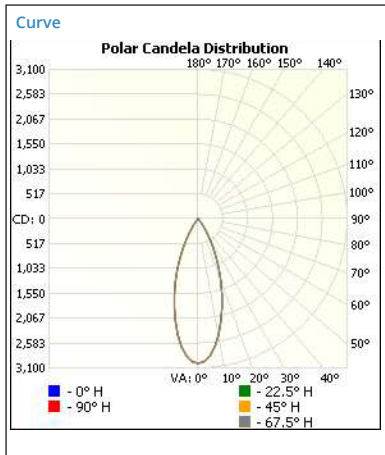
| Degrees Vertical | Candela |
|------------------|---------|
| 0.0 | 2140 |
| 5.0 | 2055 |
| 10.0 | 1756 |
| 15.0 | 1306 |
| 20.0 | 912 |
| 25.0 | 602 |
| 30.0 | 346 |
| 35.0 | 158 |
| 40.0 | 50 |
| 45.0 | 18 |
| 50.0 | 8 |
| 55.0 | 4 |
| 60.0 | 0 |
| 65.0 | 0 |
| 70.0 | 0 |
| 75.0 | 0 |
| 80.0 | 0 |
| 85.0 | 0 |
| 90.0 | 0 |

Zonal Lumen Summary

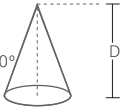
| Zone | Lumens | % Luminaire |
|--------|--------|-------------|
| 0-30 | 822.6 | 86.1 |
| 0-40 | 931.3 | 97.5 |
| 10-60 | 955.3 | 100.0 |
| 60-90 | 0.0 | 0.0 |
| 0-90 | 955.5 | 100.0 |
| 90-180 | 0.0 | 0.0 |
| 0-180 | 955.5 | 100.0 |

30° Distribution

Test Number
 103268734CRT-005
Diver
 BRIDGELUX VERO 13
Model
 V3CRSU-1335K-M
Lumens
 1340.2
Efficacy
 101.4
SC
 0.947

Cone of Light



| | Center Beam fc | Beam Width | |
|------|----------------|------------|-----|
| 1.7 | 1040 | 1.2 | 1.2 |
| 3.3 | 276 | 2.3 | 2.3 |
| 5.0 | 120 | 3.4 | 3.4 |
| 6.7 | 66.9 | 4.6 | 4.5 |
| 8.3 | 43.6 | 5.7 | 5.7 |
| 10.0 | 30.1 | 5.8 | 6.8 |

Candela Table


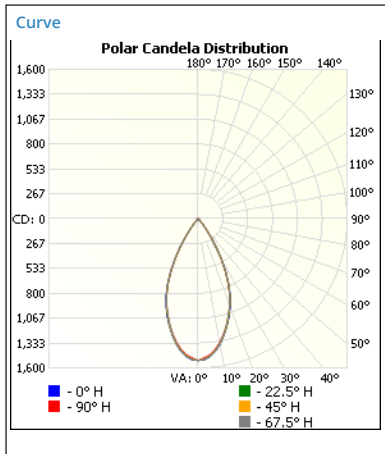
| Degrees Vertical | Candela |
|------------------|---------|
| 0.0 | 3005 |
| 5.0 | 2852 |
| 10.0 | 2446 |
| 15.0 | 1915 |
| 20.0 | 1284 |
| 25.0 | 886 |
| 30.0 | 477 |
| 35.0 | 195 |
| 40.0 | 45 |
| 45.0 | 16 |
| 50.0 | 6 |
| 55.0 | 1 |
| 60.0 | 0 |
| 65.0 | 0 |
| 70.0 | 0 |
| 75.0 | 0 |
| 80.0 | 0 |
| 85.0 | 0 |
| 90.0 | 0 |

Zonal Lumen Summary

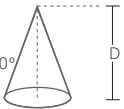
| Zone | Lumens | % Luminaire |
|--------|--------|-------------|
| 0-30 | 1186.6 | 88.5 |
| 0-40 | 1320.9 | 98.6 |
| 10-60 | 1340.2 | 100.0 |
| 60-90 | 0.0 | 0.0 |
| 0-90 | 1340.2 | 100.0 |
| 90-180 | 0.0 | 0.0 |
| 0-180 | 1340.2 | 100.0 |

45° Distribution

Test Number
 103233437CRT-002
Diver
 BRIDGELUX VERO 13
Model
 V3CRSU-1330K-W
Lumens
 994.2
Efficacy
 78.2
SC
 0.962

Cone of Light



| | Center Beam fc | Beam Width | |
|------|----------------|------------|-----|
| 1.7 | 525 | 1.6 | 1.6 |
| 3.3 | 139 | 3.1 | 3.1 |
| 5.0 | 60.7 | 4.7 | 4.7 |
| 6.7 | 99.8 | 6.9 | 6.9 |
| 8.3 | 22.0 | 7.9 | 7.8 |
| 10.0 | 15.2 | 9.5 | 9.4 |

Candela Table

| Degrees Vertical | Candela |
|------------------|---------|
| 0.0 | 1518 |
| 5.0 | 1478 |
| 10.0 | 1358 |
| 15.0 | 1188 |
| 20.0 | 996 |
| 25.0 | 770 |
| 30.0 | 495 |
| 35.0 | 240 |
| 40.0 | 83 |
| 45.0 | 24 |
| 50.0 | 10 |
| 55.0 | 5 |
| 60.0 | 1 |
| 65.0 | 0 |
| 70.0 | 0 |
| 75.0 | 0 |
| 80.0 | 0 |
| 85.0 | 0 |
| 90.0 | 0 |

Zonal Lumen Summary

| Zone | Lumens | % Luminaire |
|--------|--------|-------------|
| 0-30 | 809.4 | 81.4 |
| 0-40 | 965.2 | 97.1 |
| 10-60 | 994.0 | 100.0 |
| 60-90 | 0.2 | 0.0 |
| 0-90 | 994.2 | 100.0 |
| 90-180 | 0.0 | 0.0 |
| 0-180 | 994.2 | 100.0 |