

Catalog #	Quantity
Project	
Notes	Date
Prepared by	



3" LED/Capela™

LED 3" Regressed Lens Micro Flange Downlight, 700-1300 Lumens

2700K 3000K 3500K 4000K



Features

Optics

Soft glow clear, specular clear and white finishes
Efficient optical design
15, 30, and 45 degree beam spreads
Frosted polycarbonate regressed lens

Controls

0-10V to 10% driver standard
0-10V to 1%, 0-10V to 0.1%, Lutron, & Triac/Forward phase options

Construction

Self-flanged or micro-flanged cold-rolled steel housing
Polyester powder coat
Torsion springs for maximum ceiling retention
IC-rated up to 2,000 lumens
Optional new construction frame with quick connect

Electrical

High flux CoB array
80+ CRI standard, 90+ CRI optional
2700K, 3000K, 3500K, 4000K standard
70% lumen maintenance at 50,000 hours
Tested according to LM-79 and LM-80 standards
120 – 277V Universal Input standard

Listings

ETL certified; wet location under covered ceiling
Meets UL 1598 and UL 8750 requirements
Energy Star certified
Buy American Act

Warranty

5-year limited warranty. Complete warranty terms located at:
<http://vantageltg.com/product-warranty/>

Ordering Information

EXAMPLE: V3CRRM-2030K-L3040-SGC-M-WHT

Series/Source	Voltage	Nominal Lumens	Kelvin	Reflector	Finish	Distribution	Flange Color	Options
V3CRRM 3" round, Regressed Micro Flange	U - 120V-277V 1 - 120 Volts ¹ 3 - 347 Volts ³	-07 - 700 -13 - 1300	27K - 2700K 30K - 3000K 35K - 3500K 40K - 4000K	L3040	SCL SGC WHT	N M W	WHT BLK	DL-2 ² DL-3 ² EM ² HCR LDE1 ² NCFAQ TDM ¹ XDM ² ZDM ²

Reflector Finish Options

SCL - Specular Clear
SGC - Soft Glow Clear
WHT - White Polycarbonate

Distribution Options

N - 15° Distribution
M - 30° Distribution
W - 45° Distribution

Options

DL-2² - Lutron 2 wire Hi-Lume Dimming Driver
DL-3² - Lutron 3 wire Hi-Lume Dimming Driver
EM² - Emergency battery back-up. Remote test button & indicator Light
HCR - 90+ CRI

LDE1² - Lutron EcoSystem Fade-to-Black™
NCFAQ - New Construction Frame Advanced Quick connect
TDM¹ - Triac Dimming Driver (Forward Phase)
XDM² - 0-10V 0.1% Dimming
ZDM² - 0-10V 1% Dimming

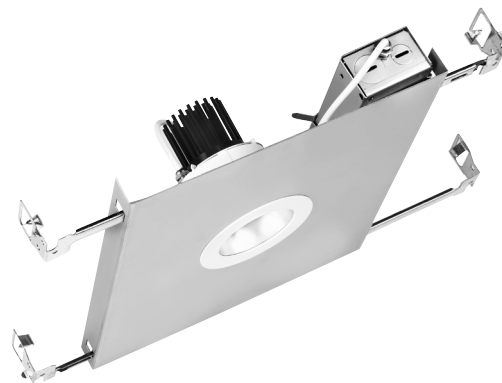
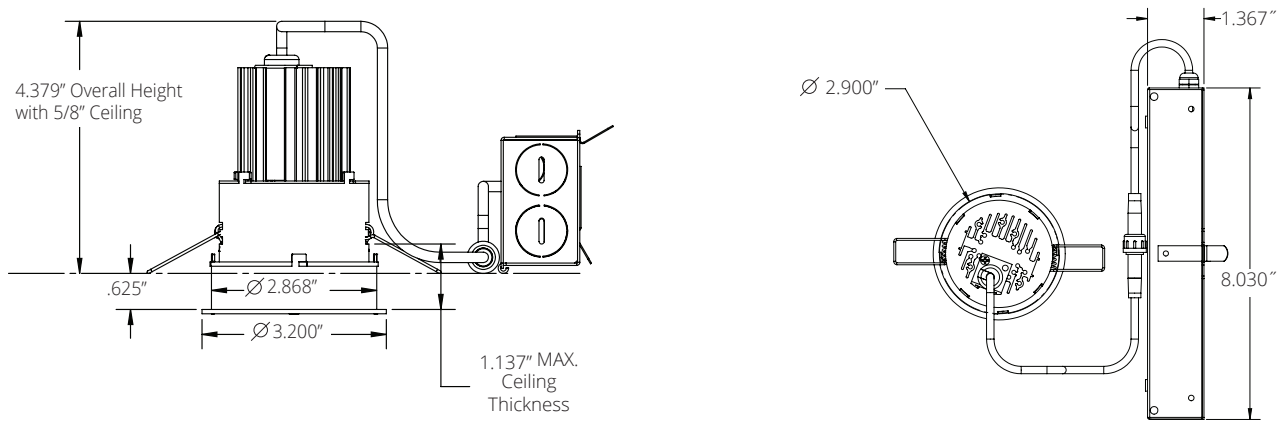
Notes

¹TDM - available only in 120V
²Lutron Drivers - please consult factory
³Step-down Transformer

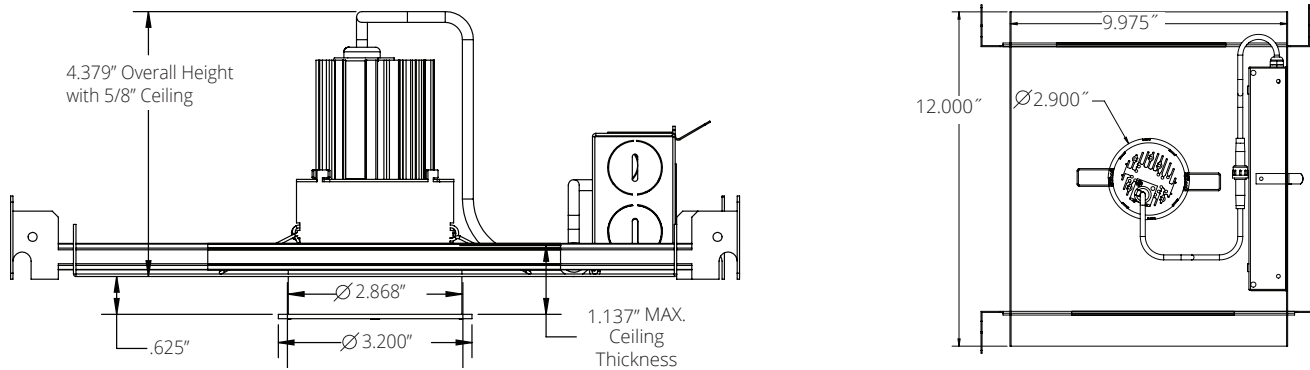
Vantage reserves the right to change components, finishes or design details in any manner which does not alter the installed appearance or reduce performance and intended function. | Capela™ is a trademark of Vantage Lighting.

Dimensional Data: LED 3" Regressed Lens Micro Flange Downlight

Ceiling Cut Out 2.900"



Ceiling Cut Out 2.900"



Lumens/Wattage

Nominal Lumens	Wattage*	CCT*
700	7.56	3500K
1300	12.7	3500K

*Actual Wattage/Lumens may vary.

Emergency Lumen Output

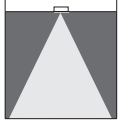
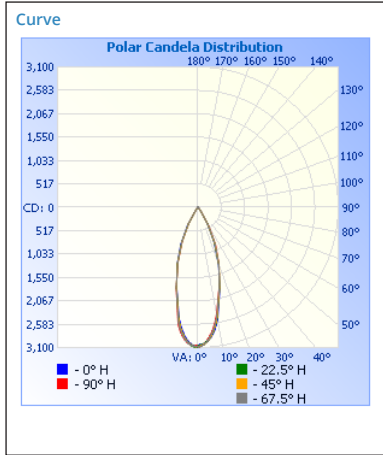
Nominal Lumens	Wattage*	CCT*
300	2.5	3500K

*Actual Wattage/Lumens may vary.

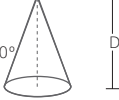
Photometrics

15° Distribution

Test Number
 PHM-RPT-171026-D05
Diver
 BRIDGELUX VERO 13
Model
 V3CRRU-1335K-N
Lumens
 1350.11
Efficacy
 93.30
SC
 0.9892

Cone of Light



	Center Beam fc	Beam Width	
1.7	1061	1.1	1.6
3.3	282	2.2	2.1
5.0	123	3.3	3.3
6.7	68.3	4.4	4.4
8.3	44.5	5.4	5.4
10.0	30.7	6.5	5.5

Candela Table


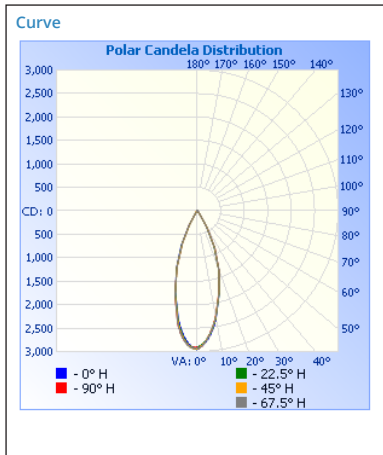
Degrees Vertical	Candela
0.0	3066
5.0	2910
10.0	2506
15.0	1862
20.0	1331
25.0	832
30.0	416
35.0	122
40.0	49
45.0	27
50.0	17
55.0	11
60.0	8
65.0	6
70.0	6
75.0	6
80.0	6
85.0	5
90.0	4

Zonal Lumen Summary

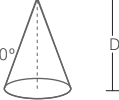
Zone	Lumens	% Luminaire
0-30	1164.3	86.2
0-40	1274.3	94.4
10-60	1307.2	96.8
60-90	18.4	1.4
0-90	1325.5	98.2
90-180	24.5	1.8
0-180	1350.1	100.0

30° Distribution

Test Number
 PHM-RPT-171026-D04
Diver
 BRIDGELUX VERO 13
Model
 V3CRRU-1335K-M
Lumens
 1286.75
Efficacy
 97.78
SC
 0.9889

Cone of Light



	Center Beam fc	Beam Width	
1.7	1010	1.1	1.1
3.3	268	2.2	2.2
5.0	117	3.4	3.3
6.7	65.0	4.5	4.5
8.3	42.4	5.6	5.5
10.0	29.2	6.7	6.7

Candela Table


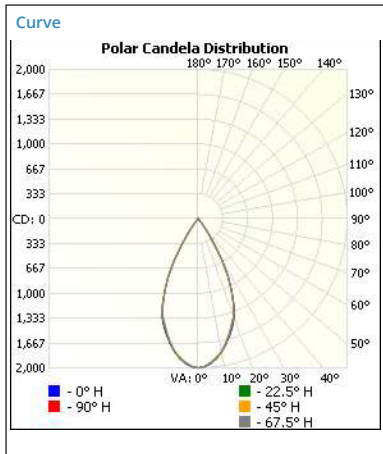
Degrees Vertical	Candela
0.0	2920
5.0	2719
10.0	2297
15.0	1802
20.0	1334
25.0	842
30.0	379
35.0	101
40.0	45
45.0	26
50.0	17
55.0	11
60.0	7
65.0	6
70.0	6
75.0	6
80.0	6
85.0	6
90.0	4

Zonal Lumen Summary

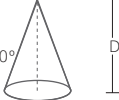
Zone	Lumens	% Luminaire
0-30	1151.1	86.7
0-40	1208.2	93.9
10-60	1241.4	96.5
60-90	20.6	1.6
0-90	1262.0	98.1
90-180	24.7	1.9
0-180	1286.8	100.0

45° Distribution

Test Number
 103233437CRT-011
Diver
 BRIDGELUX VERO 13
Model
 V3CRRU-1335K-W
Lumens
 1292.0
Efficacy
 94.1
SC
 0.934

Cone of Light



	Center Beam fc	Beam Width	
1.7	692	1.6	1.6
3.3	184	3.2	3.2
5.0	80.0	4.8	4.8
6.7	44.5	6.5	6.5
8.3	29.0	8.0	8.0
10.0	20.0	9.7	9.6

Candela Table

Degrees Vertical	Candela
0.0	1999
5.0	1950
10.0	1812
15.0	1626
20.0	1413
25.0	1057
30.0	644
35.0	241
40.0	62
45.0	21
50.0	10
55.0	3
60.0	0
65.0	0
70.0	0
75.0	0
80.0	0
85.0	0
90.0	0

Zonal Lumen Summary

Zone	Lumens	% Luminaire
0-30	1102.1	85.3
0-40	1269.2	98.2
10-60	1291.9	100.0
60-90	0.0	0.0
0-90	1292.0	100.0
90-180	0.0	0.0
0-180	1292.0	100.0