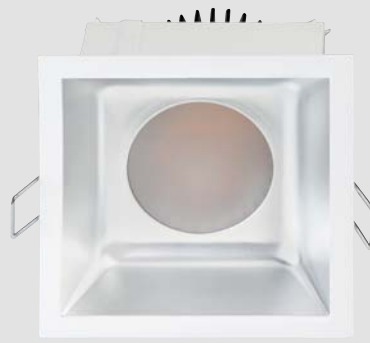


Catalog #	Quantity
Project	
Notes	Date
Prepared by	



4" LED/Capela™

LED 4" Square Regressed Lens Micro Flange Downlight, 700-3000 Lumens

2700K 3000K 3500K 4000K



Features

Optics

Soft glow clear, specular clear and white finishes
Efficient optical design
15, 30, and 45 degree beam spreads
Frosted polycarbonate regressed lens

Controls

0-10V to 10% driver standard
0-10V to 1%, 0-10V to 0.1%, Lutron, & Triac/Forward phase options

Construction

Self-flanged or micro-flanged cold-rolled steel housing
Polyester powder coat
Torsion springs for maximum ceiling retention
IC-rated up to 2,000 lumens
Optional new construction frame with quick connect

Electrical

High flux CoB array
80+ CRI standard, 90+ CRI optional
2700K, 3000K, 3500K, 4000K standard
70% lumen maintenance at 50,000 hours
Tested according to LM-79 and LM-80 standards
120 – 277V Universal Input standard

Listings

ETL certified; wet location under covered ceiling
Meets UL 1598 and UL 8750 requirements
Energy Star certified
Buy American Act

Warranty

5-year limited warranty. Complete warranty terms located at:
<http://vantageltg.com/product-warranty/>

Ordering Information

EXAMPLE: V4CRSM-2030K-S4040-SGC-MD-WHT

Series/Source	Voltage	Nominal Lumens	Kelvin	Reflector	Finish	Distribution	Flange Color	Options
V4CRSM 4" square, Regressed Micro Flange	U - 120V-277V 1 - 120 Volts ¹ 3 - 347 Volts ²	-07 - 700 -13 - 1300 -20 - 2000 -30 - 3000	27K - 2700K 30K - 3000K 35K - 3500K 40K - 4000K	S4040	SCL SGC WHT	N M W	WHT BLK	DL-2 ² DL-3 ² EM ² HCR LDE1 ² NCFAQ TDM ¹ XDM ² ZDM ²

Reflector Finish Options

SCL - Specular Clear
SGC - Soft Glow Clear
WHT - White Polycarbonate

Distribution Options

N - 15° Distribution
M - 30° Distribution
W - 45° Distribution

Options

DL-2² - Lutron 2 wire Hi-Lume Dimming Driver.
DL-3² - Lutron 3 wire Hi-Lume Dimming Driver.
EEM² - Emergency battery back-up. Remote test button & indicator Light
HCR - 90+ CRI

Notes


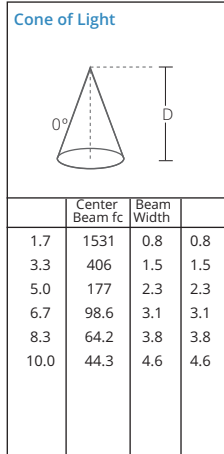
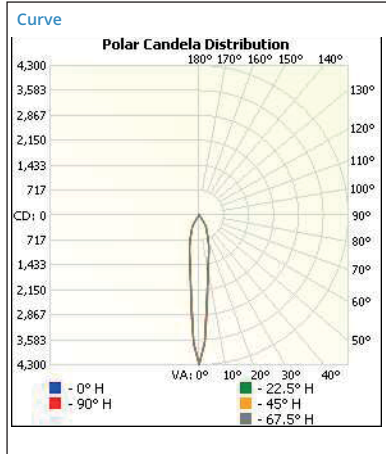
LDE1² - Lutron EcoSystem Fade-to-Black™
NCFAQ - New Construction Frame Advanced Quick connect
TDM¹ - Triac Dimming Driver (Forward Phase)
XDM² - 0-10V 0.1% Dimming
ZDM² - 0-10V 1% Dimming
¹TDM - available only in 120V
²Lutron Drivers - please consult factory
³Step-down Transformer

Vantage reserves the right to change components, finishes or design details in any manner which does not alter the installed appearance or reduce performance and intended function. | Capela™ is a trademark of Vantage Lighting.

Photometrics

15° Distribution

Test Number
 103268734CRT-002
Diver
 BRIDGELUX VERO 13
Model
 V4CRSU-1335K-N
Lumens
 1340.3
Efficacy
 100.7
SC
 0.956

Candela Table


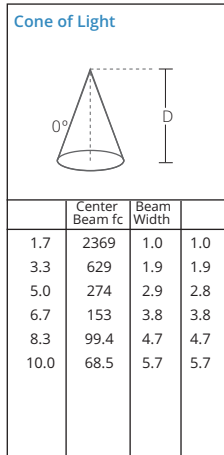
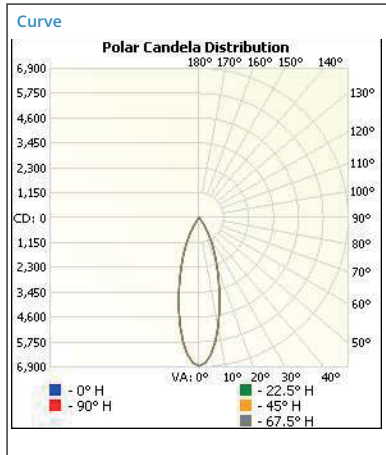
Degrees Vertical	Candela
0.0	4426
5.0	3997
10.0	2882
15.0	1785
20.0	1164
25.0	771
30.0	425
35.0	172
40.0	47
45.0	15
50.0	6
55.0	2
60.0	0
65.0	0
70.0	0
75.0	0
80.0	0
85.0	0
90.0	0

Zonal Lumen Summary

Zone	Lumens	% Luminaire
0-30	1198.1	89.4
0-40	1319.1	98.4
10-60	1304.3	100.0
60-90	0.0	0.0
0-90	1340.3	100.0
90-180	0.0	0.0
0-180	1340.3	100.0

30° Distribution

Test Number
 103268734CRT-001
Diver
 BRIDGELUX VERO 13
Model
 V4CRSU-3035K-M
Lumens
 2553.6
Efficacy
 91.9
SC
 0.995

Candela Table


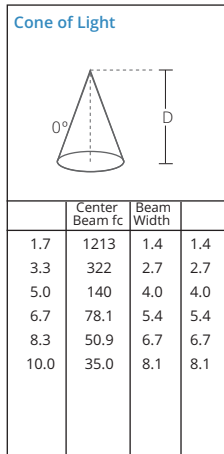
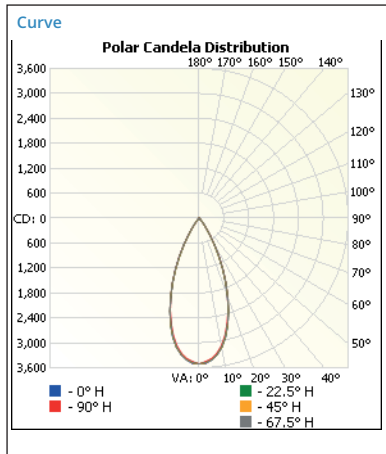
Degrees Vertical	Candela
0.0	6846
5.0	6330
10.0	5078
15.0	3657
20.0	2443
25.0	1536
30.0	837
35.0	356
40.0	100
45.0	38
50.0	18
55.0	6
60.0	0
65.0	0
70.0	0
75.0	0
80.0	0
85.0	0
90.0	0

Zonal Lumen Summary

Zone	Lumens	% Luminaire
0-30	2262.7	88.6
0-40	25,02.7	98.0
10-60	2553.4	100.0
60-90	0.2	0.0
0-90	2553.6	100.0
90-180	0.0	0.0
0-180	2553.6	100.0

45° Distribution

Test Number
 103233437CRT-003
Diver
 BRIDGELUX VERO 13
Model
 V4CRSU-2035K-W
Lumens
 1917.6
Efficacy
 98.2
SC
 0.992

Candela Table

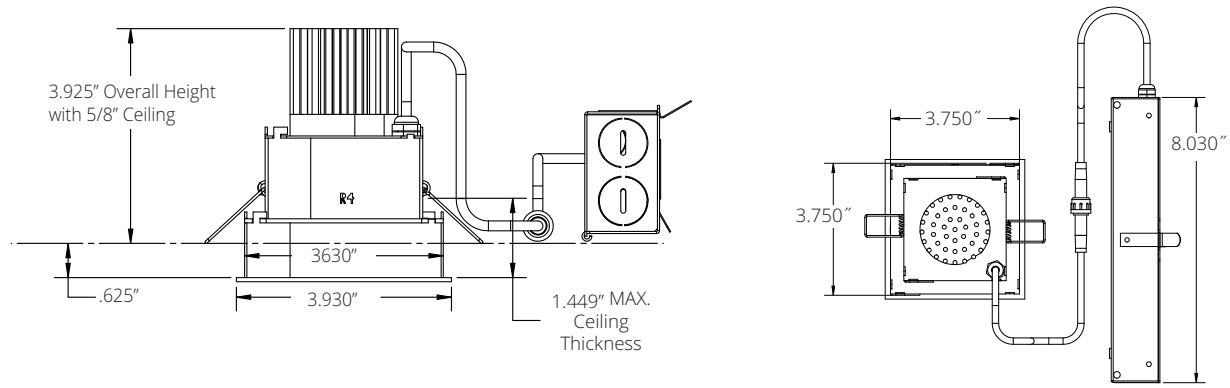
Degrees Vertical	Candela
0.0	3505
5.0	3426
10.0	3154
15.0	2659
20.0	2009
25.0	1348
30.0	748
35.0	314
40.0	96
45.0	16
50.0	6
55.0	0
60.0	0
65.0	0
70.0	0
75.0	0
80.0	0
85.0	0
90.0	0

Zonal Lumen Summary

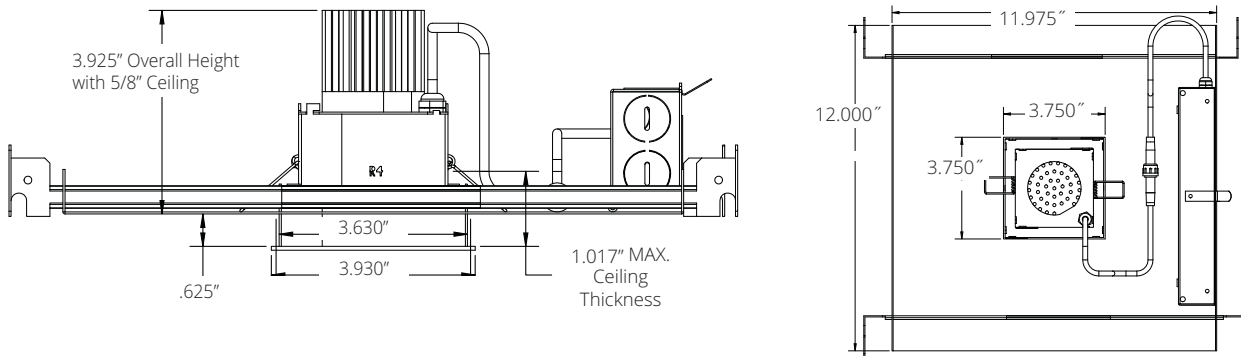
Zone	Lumens	% Luminaire
0-30	1651.2	86.1
0-40	1866.9	97.4
10-60	1917.2	100.0
60-90	0.4	0.0
0-90	1917.6	100.0
90-180	0.0	0.0
0-180	1917.6	100.0

Dimensional Data: LED 4" Square Regressed Lens Micro Flange Downlight

Ceiling Cut Out 3.630x3.717" Square



Ceiling Cut Out 3.875x3.875" Square



Lumens/Wattage

Nominal Lumens	Wattage*	CCT
700	7.56	3500K
1300	12.7	3500K
2000	19.6	3500K
3000	27.4	3500K

*All measured at 3500K
Actual Wattage/Lumens may vary.

Emergency Lumen Output

Nominal Lumens	Wattage*	CCT
300	2.5	3500K

**Actual Wattage/Lumens may vary.*