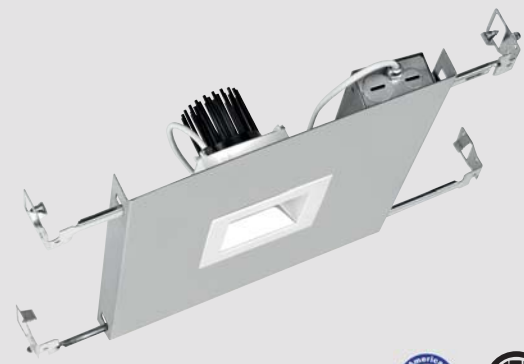


Catalog #	Quantity
Project	
Notes	Date
Prepared by	

2" LED/Capela™

LED 2" Square Regressed Lens Downlight, 700-1300 Lumens, Dim-to-Warm



Features

Optics

Soft glow clear, specular clear and white finishes
Efficient optical design
15, 30, and 45 degree beam spreads
Frosted polycarbonate regressed lens

Controls

0-10V to 10% driver standard
0-10V to 1%, 0-10V to 0.1%, Lutron, & Triac/Forward phase options

Construction

Self-flanged or micro-flanged cold-rolled steel housing
Polyester powder coat
Torsion springs for maximum ceiling retention
IC-rated up to 2,000 lumens
Optional new construction frame with quick connect

Electrical

High flux CoB array
80+ CRI standard, 90+ CRI and 97 CRI optional
Dimmable from 3000K to 1800K standard
70% lumen maintenance at 50,000 hours
Tested according to LM-79 and LM-80 standards
120 – 277V Universal Input standard

Listings

ETL certified; wet location under covered ceiling
Meets UL 1598 and UL 8750 requirements
Energy Star certified
Buy American Act

Warranty

5-year limited warranty. Complete warranty terms located at:
<http://vantageltg.com/product-warranty/>

Ordering Information

EXAMPLE: V2CRS-07DTW-S2040-SGC-M-WHT

Series/Source	Voltage	Nominal Lumen	Dim-to-Warm	Reflector	Finish	Distribution	Flange Color	Options
V2CRS 2" square, Regressed	U - 120V-277V 1 - 120 Volts ¹ 3 - 347 Volts ²	-07 - 700 -13 - 1300	DTW	S2040	SCL SGC WHT	N M W	WHT BLK	DL-2 ² DL-3 ² EM ² LDE1 ² NCFAQ TDM ¹ XDM ² ZDM ²

Reflector Finish Options

SCL - Specular Clear
SGC - Soft Glow Clear
WHT - White Painted

Distribution Options

N - 15° Distribution
M - 30° Distribution
W - 45° Distribution

Options

DL-2 - Lutron 2 wire Hi-Lume Dimming Driver
DL-3 - Lutron 3 wire Hi-Lume Dimming Driver
EM² - Emergency battery back-up. Remote test button & indicator Light

LDE1² - Lutron EcoSystem Fade-to-Black™
NCFAQ - New Construction Frame Advanced Quick connect
TDM¹ - Triac Dimming Driver (Forward Phase)
XDM² - 0-10V 0.1% Dimming
ZDM² - 0-10V 1% Dimming

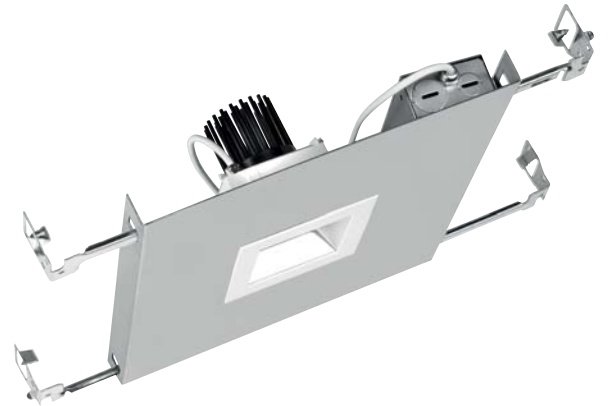
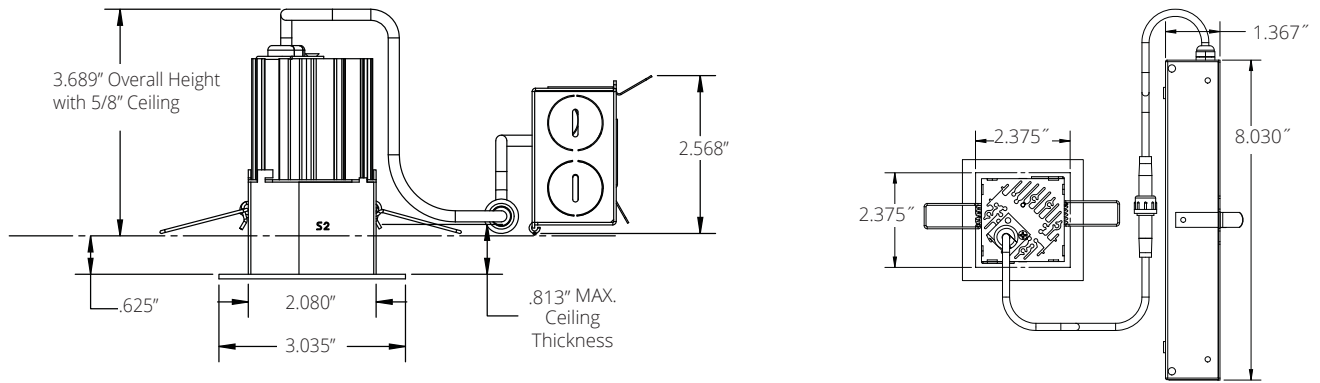
Notes

¹TDM - available only in 120V
²Lutron Drivers - please consult factory
³Step-down Transformer

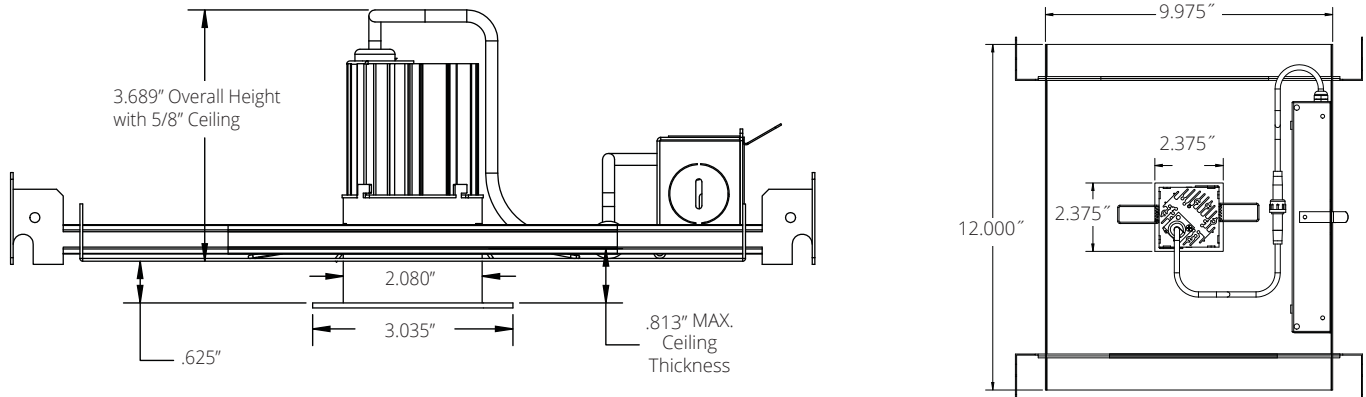
Vantage reserves the right to change components, finishes or design details in any manner which does not alter the installed appearance or reduce performance and intended function. | Capela™ is a trademark of Vantage Lighting.

Dimensional Data: LED 2" Square Regressed Lens Downlight, Dim-to-Warm

Ceiling Cut Out 2.375x2.375" Square



Ceiling Cut Out 2.375x2.375" Square



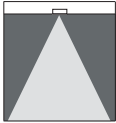
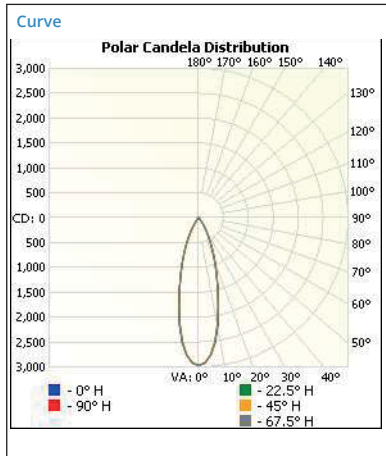
Dim-to-Warm Performance

Nominal Lumens	Wattage	100%			1%			
		CCT	CRI	R9	Wattage	CCT	CRI	R9
700	9.7	3100	95	85	2.9	1800	95	85
1300	13.2	3100	95	85	3.3	1800	95	85

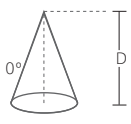
Photometrics

15° Distribution

Test Number
 103233437CRT-017
Diver
 BRIDGELUX VERO 13
Model
 V2CRSU-1335K-N
Lumens
 1037.7
Efficacy
 76.4
SC
 0.971

Cone of Light




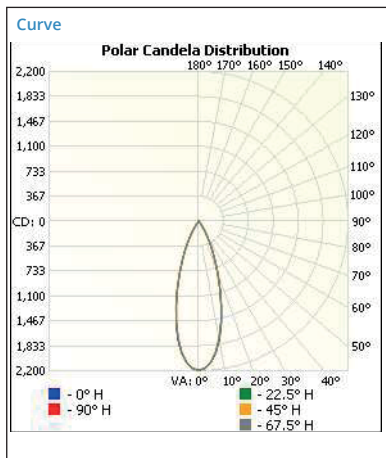
	Center Beam fc	Beam Width	
1.7	1027	0.9	0.9
3.3	273	1.8	1.8
5.0	199	2.7	2.7
6.7	66.1	3.6	3.6
8.3	43.1	4.5	4.5
10.0	29.7	5.4	5.4

Candela Table	
Degrees Vertical	Candela
0.0	2968
5.0	2773
10.0	2197
15.0	1496
20.0	967
25.0	585
30.0	308
35.0	135
40.0	47
45.0	26
50.0	21
55.0	14
60.0	9
65.0	0
70.0	0
75.0	0
80.0	0
85.0	0
90.0	0

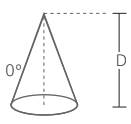
Zonal Lumen Summary		
Zone	Lumens	% Luminaire
0-30	921.8	88.8
0-40	1014.7	97.8
10-60	1037.5	100.0
60-90	0.2	0.0
0-90	1037.7	100.0
90-180	0.0	0.0
0-180	1037.7	100.0

30° Distribution

Test Number
 103233437CRT-016
Diver
 BRIDGELUX VERO 13
Model
 V2CRSU-0735K-M
Lumens
 829.6
Efficacy
 86.3
SC
 0.

Cone of Light




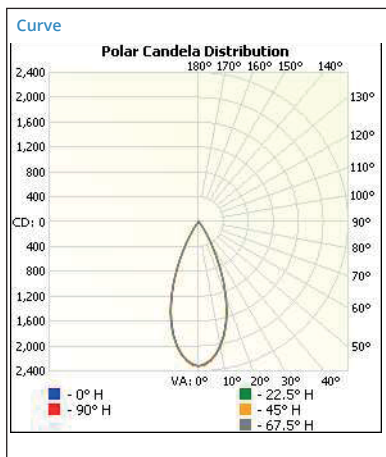
	Center Beam fc	Beam Width	
1.7	759	1.0	1.0
3.3	201	2.0	2.0
5.0	87.7	3.1	3.0
6.7	48.9	4.1	4.1
8.3	31.8	5.1	5.0
10.0	21.9	6.1	6.1

Candela Table	
Degrees Vertical	Candela
0.0	2193
5.0	2080
10.0	1761
15.0	1289
20.0	829
25.0	481
30.0	237
35.0	90
40.0	19
45.0	7
50.0	2
55.0	0
60.0	0
65.0	0
70.0	0
75.0	0
80.0	0
85.0	0
90.0	0

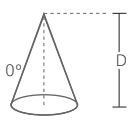
Zonal Lumen Summary		
Zone	Lumens	% Luminaire
0-30	757.4	91.3
0-40	821.0	99.0
10-60	829.6	100.0
60-90	0.0	0.0
0-90	829.6	100.0
90-180	0.0	0.0
0-180	829.6	100.0

45° Distribution

Test Number
 103233437CRT-015
Diver
 BRIDGELUX VERO 13
Model
 V2CRSU-1335K-W
Lumens
 1154.5
Efficacy
 85.7
SC
 0.972

Cone of Light



	Center Beam fc	Beam Width	
1.7	803	1.3	1.3
3.3	213	2.6	2.6
5.0	92.8	3.9	3.9
6.7	51.7	5.2	5.2
8.3	33.7	6.4	6.4
10.0	23.2	7.7	7.8

Candela Table	
Degrees Vertical	Candela
0.0	2320
5.0	2241
10.0	2017
15.0	1686
20.0	1267
25.0	801
30.0	398
35.0	142
40.0	33
45.0	11
50.0	4
55.0	0
60.0	0
65.0	0
70.0	0
75.0	0
80.0	0
85.0	0
90.0	0

Zonal Lumen Summary		
Zone	Lumens	% Luminaire
0-30	1038.8	90.0
0-40	1141.6	98.9
10-60	1154.4	100.0
60-90	0.0	0.0
0-90	1154.5	100.0
90-180	0.0	0.0
0-180	1154.4	100.0