

Catalog #	Quantity
Project	
Notes	Date
Prepared by	



2" LED/Capela™

LED 2" Regressed Lens Downlight, 700-1300 Lumens, **Dim-to-Warm**

Features

Optics

Soft glow clear, specular clear and white finishes
Efficient optical design
15, 30, and 45 degree beam spreads
Frosted polycarbonate regressed lens

Controls

0-10V to 10% driver standard
0-10V to 1%, 0-10V to 0.1%, Lutron, & Triac/Forward phase options

Construction

Self-flanged or micro-flanged cold-rolled steel housing
Polyester powder coat
Torsion springs for maximum ceiling retention
IC-rated up to 2,000 lumens
Optional new construction frame with quick connect

Electrical

High flux CoB array
90+ CRI at 3000K standard
Dimmable from 3000K to 1800K standard
70% lumen maintenance at 50,000 hours
Tested according to LM-79 and LM-80 standards
120 – 277V Universal Input standard

Listings

ETL certified; wet location under covered ceiling
Meets UL 1598 and UL 8750 requirements
Energy Star certified
Buy American Act

Warranty

5-year limited warranty. Complete warranty terms located at:
<http://vantageltg.com/product-warranty/>

Ordering Information

EXAMPLE: V2CRRU-07DTW-L2040-SGC-N-WHT

Series/Source	Voltage	Nominal Lumen	Dim-to-Warm	Reflector	Finish	Distribution	Flange Color	Options
V2CRR 2" round, Regressed	U - 120V-277V 1 - 120 Volts ¹ 3 - 347 Volts ²	-07 - 700 -13 - 1300	DTW	L2040	SCL SGC WHT	N M W	WHT BLK	DL-2 ² DL-3 ² EM ² LDE1 ² NCFAQ TDM ¹ XDM ² ZDM ²

Reflector Finish Options

SCL - Specular Clear
SGC - Soft Glow Clear
WHT - White Polycarbonate

Distribution Options

N - 15° Distribution
M - 30° Distribution
W - 45° Distribution

Options

DL-2² - Lutron 2 wire Hi-Lume Dimming Driver
DL-3² - Lutron 3 wire Hi-Lume Dimming Driver
EM² - Emergency battery back-up. Remote test button & indicator Light

LDE1² - Lutron EcoSystem Fade-to-Black™
NCFAQ - New Construction Frame Advanced Quick connect
TDM¹ - Triac Dimming Driver (Forward Phase)
XDM² - 0-10V 0.1% Dimming
ZDM² - 0-10V 1% Dimming

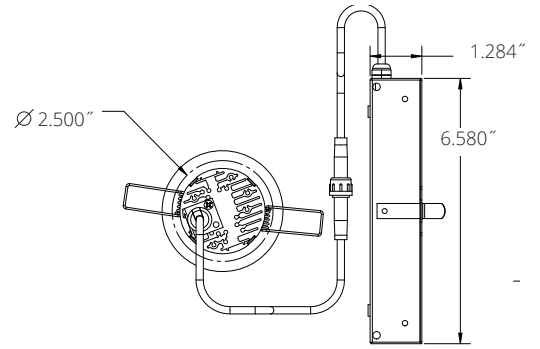
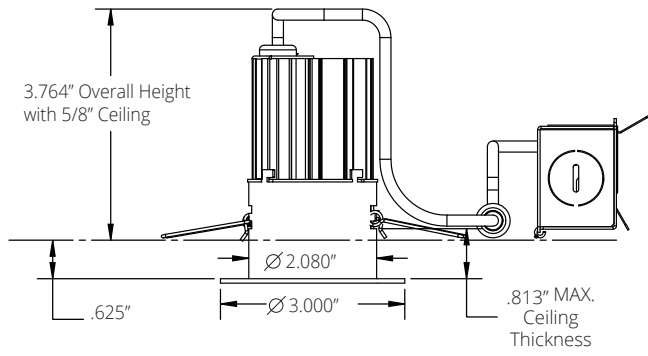
Notes

¹TDM - available only in 120V
²Lutron Drivers - please consult factory
³Step-down Transformer

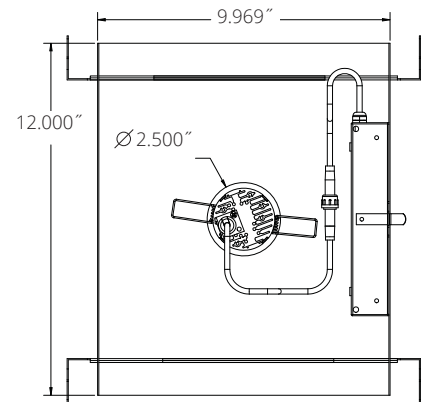
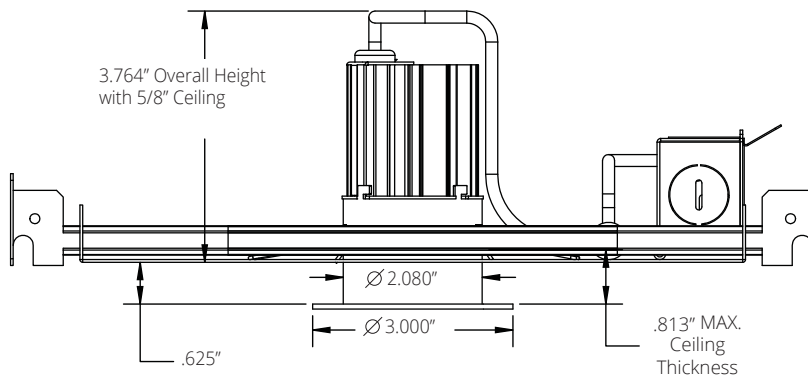
Vantage reserves the right to change components, finishes or design details in any manner which does not alter the installed appearance or reduce performance and intended function. | Capela™ is a trademark of Vantage Lighting.

Dimensional Data: LED 2" Regressed Lens Downlight, Dim-to-Warm

Ceiling Cut Out 2.500"



Ceiling Cut Out 2.500"

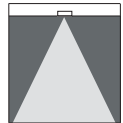
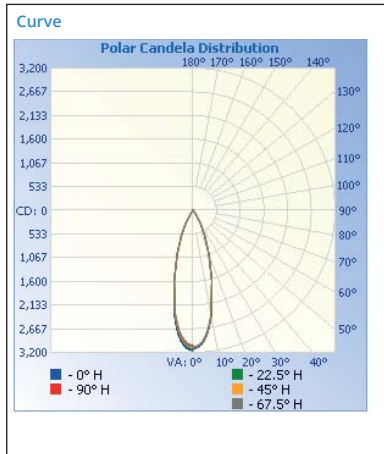


Dim-to-Warm Performance

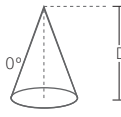
Nominal Lumens	100%				1%			
	Wattage	CCT	CRI	R9	Wattage	CCT	CRI	R9
700	9.7	3100	95	85	2.9	1800	95	85
1300	13.2	3100	95	85	3.3	1800	95	85

15° Distribution

Test Number
PHM-RPT-171026-D07
Diver
BRIDGELUX VERO 13
Model
V2CRRU-1335K-N
Lumens
1138.94
Efficacy
77.63
SC
0.9910

Cone of Light



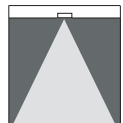
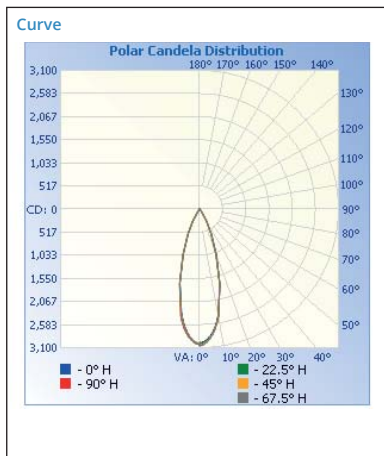
	Center Beam fc	Beam Width	
1.7	1071	1.0	0.9
3.3	284	1.9	1.8
5.0	124	2.8	2.8
6.7	68.9	3.8	3.7
8.3	44.9	4.7	4.6
10.0	30.9	5.6	5.6

Degrees Vertical	Candela
0.0	3094
5.0	2936
10.0	2373
15.0	1637
20.0	1027
25.0	624
30.0	329
35.0	97
40.0	35
45.0	20
50.0	11
55.0	8
60.0	6
65.0	5
70.0	5
75.0	5
80.0	5
85.0	5
90.0	3

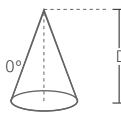
Zonal Lumen Summary		
Zone	Lumens	% Luminaire
0-30	998.5	87.7
0-40	1078.8	94.7
10-60	1102.1	95.8
60-90	15.1	1.3
0-90	117.3	98.1
90-180	21.7	1.9
0-180	1139.0	100.0

30° Distribution

Test Number
PHM-RPT-171026-D06
Diver
BRIDGELUX VERO 13
Model
V2CRRU-1335K-M
Lumens
1142.59
Efficacy
77.56
SC
0.9906

Cone of Light



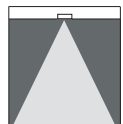
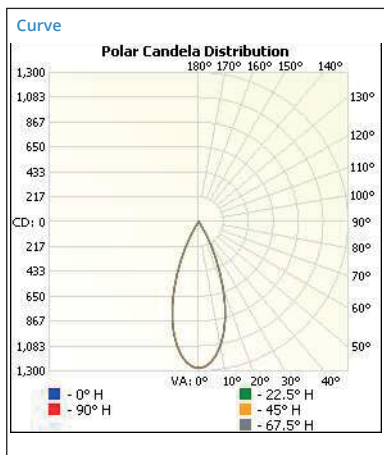
	Center Beam fc	Beam Width	
1.7	1040	1.0	1.0
3.3	276	2.0	2.0
5.0	120	3.0	3.0
6.7	57.0	4.0	4.0
8.3	43.6	5.0	5.0
10.0	30.1	6.0	6.0

Degrees Vertical	Candela
0.0	3007
5.0	2837
10.0	2414
15.0	1729
20.0	1076
25.0	610
30.0	291
35.0	71
40.0	27
45.0	17
50.0	11
55.0	9
60.0	7
65.0	5
70.0	5
75.0	5
80.0	4
85.0	4
90.0	3

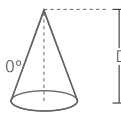
Zonal Lumen Summary		
Zone	Lumens	% Luminaire
0-30	1014.9	88.8
0-40	1086.6	95.1
10-60	1107.5	96.9
60-90	14.2	1.2
0-90	1121.7	98.2
90-180	20.9	1.8
0-180	1142.6	100.0

45° Distribution

Test Number
103233437CRT-008
Diver
BRIDGELUX VERO 13
Model
V2CRRU-0735K-W
Lumens
543.1
Efficacy
71.9
SC
0.863

Cone of Light



	Center Beam fc	Beam Width	
1.7	441	1.2	1.2
3.3	117	2.4	2.4
5.0	51.0	3.6	3.6
6.7	28.4	4.8	4.8
8.3	18.5	6.0	6.0
10.0	12.7	7.2	7.2

Degrees Vertical	Candela
0.0	1274
5.0	1227
10.0	1092
15.0	885
20.0	625
25.0	352
30.0	140
35.0	19
40.0	8
45.0	4
50.0	1
55.0	0
60.0	0
65.0	0
70.0	0
75.0	0
80.0	0
85.0	0
90.0	0

Zonal Lumen Summary		
Zone	Lumens	% Luminaire
0-30	514.9	94.8
0-40	539.7	99.4
10-60	543.1	100.0
60-90	0.0	0.0
0-90	543.1	100.1
90-180	0.0	0.0
0-180	543.1	100.0