

Catalog #	Quantity
Project	
Notes	Date
Prepared by	

2" LED/Capela™

LED 2" Regressed Lens Downlight, 700-1300 Lumens



2700K 3000K 3500K 4000K



Features

Optics

Soft glow clear, specular clear and white finishes
Efficient optical design
15, 30, and 45 degree beam spreads
Frosted polycarbonate regressed lens

Controls

0-10V to 10% driver standard
0-10V to 1%, 0-10V to 0.1%, Lutron, & Triac/Forward phase options

Construction

Self-flanged or micro-flanged cold-rolled steel housing
Polyester powder coat
Torsion springs for maximum ceiling retention
IC-rated up to 2,000 lumens
Optional new construction frame with quick connect

Electrical

High flux CoB array
80+ CRI standard, 90+ CRI optional
2700K, 3000K, 3500K, 4000K standard
70% lumen maintenance at 50,000 hours
Tested according to LM-79 and LM-80 standards
120 – 277V Universal Input standard

Listings

ETL certified; wet location under covered ceiling
Meets UL 1598 and UL 8750 requirements
Energy Star certified
Buy American Act

Warranty

5-year limited warranty. Complete warranty terms located at:
<http://vantageltg.com/product-warranty/>

Ordering Information

EXAMPLE: V2CRRU-0730K-DTW-L2040-SGC-MD-WHT

Series/Source	Voltage	Nominal Lumen	Kelvin	Reflector	Finish	Distribution	Flange Color	Options
V2CRR 2" round, Regressed	U - 120V-277V 1 - 120 Volts ¹ 3 - 347 Volts ²	-07 - 700 -13 - 1300	27K - 2700K 30K - 3000K 35K - 3500K 40K - 4000K	L2040	SCL SGC WHT	N M W	WHT BLK	DL-2 ² DL-3 ² EM ² HCR LDE1 ² NCFAQ TDM ¹ XDM ² ZDM ²

Reflector Finish Options

SCL - Specular Clear
SGC - Soft Glow Clear
WHT - White Polycarbonate

Distribution Options

N - 15° Distribution
M - 30° Distribution
W - 45° Distribution

Options

DL-2 - Lutron 2 wire Hi-Lume Dimming Driver
DL-3 - Lutron 3 wire Hi-Lume Dimming Driver
EM² - Emergency battery back-up. Remote test button & indicator Light
HCR - 90+ CRI

LDE1² - Lutron EcoSystem Fade-to-Black™
NCFAQ - New Construction Frame Advanced Quick connect
TDM¹ - Triac Dimming Driver (Forward Phase)
XDM² - 0-10V 0.1% Dimming
ZDM² - 0-10V 1% Dimming

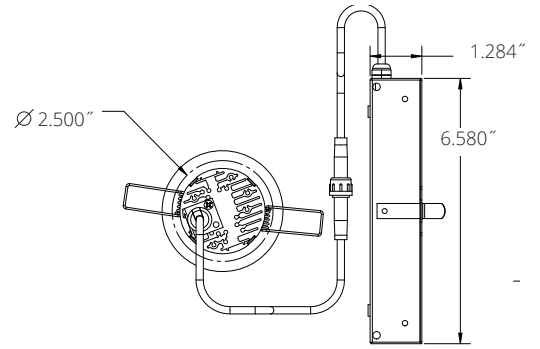
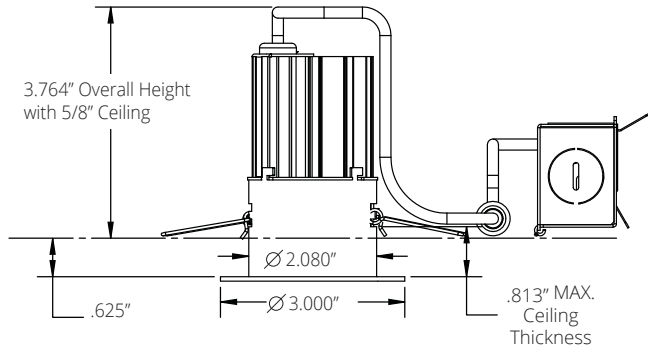
Notes

¹TDM - available only in 120V
²Lutron Drivers - please consult factory
³Step-down Transformer

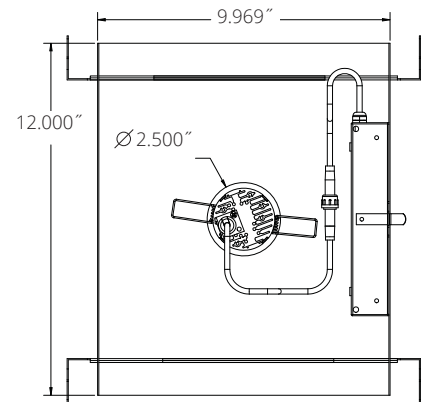
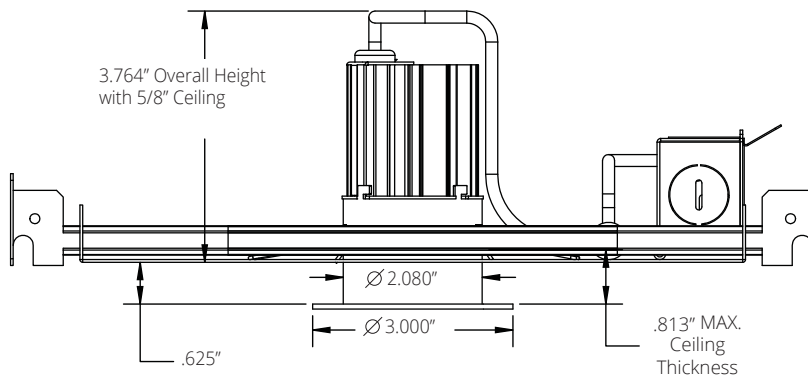
Vantage reserves the right to change components, finishes or design details in any manner which does not alter the installed appearance or reduce performance and intended function. | Capela™ is a trademark of Vantage Lighting.

Dimensional Data: LED 2" Regressed Lens Downlight

Ceiling Cut Out 2.500"



Ceiling Cut Out 2.500"



Lumens/Wattage

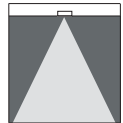
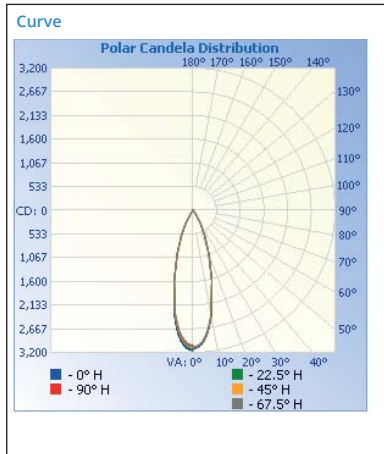
Nominal Lumens	Wattage*	CCT*
700	7.56	3500K
1300	12.7	3500K
*Actual Wattage/Lumens may vary.		

Emergency Lumen Output

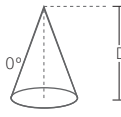
Nominal Lumens	Wattage*	CCT*
300	2.5	3500K
*Actual Wattage/Lumens may vary.		

15° Distribution

Test Number
PHM-RPT-171026-D07
Diver
BRIDGELUX VERO 13
Model
V2CRRU-1335K-N
Lumens
1138.94
Efficacy
77.63
SC
0.9910

Cone of Light



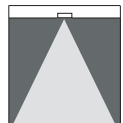
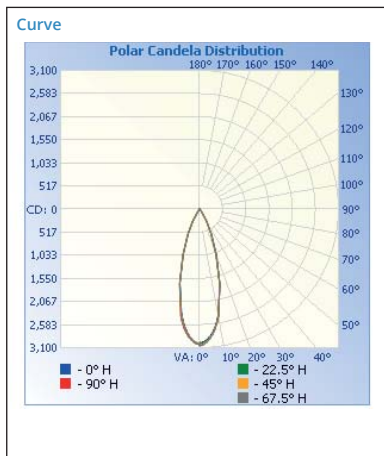
	Center Beam fc	Beam Width	
1.7	1071	1.0	0.9
3.3	284	1.9	1.8
5.0	124	2.8	2.8
6.7	68.9	3.8	3.7
8.3	44.9	4.7	4.6
10.0	30.9	5.6	5.6

Candela Table	
Degrees Vertical	Candela
0.0	3094
5.0	2936
10.0	2373
15.0	1637
20.0	1027
25.0	624
30.0	329
35.0	97
40.0	35
45.0	20
50.0	11
55.0	8
60.0	6
65.0	5
70.0	5
75.0	5
80.0	5
85.0	5
90.0	3

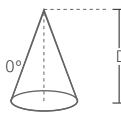
Zonal Lumen Summary		
Zone	Lumens	% Luminaire
0-30	998.5	87.7
0-40	1078.8	94.7
10-60	1102.1	95.8
60-90	15.1	1.3
0-90	117.3	98.1
90-180	21.7	1.9
0-180	1139.0	100.0

30° Distribution

Test Number
PHM-RPT-171026-D06
Diver
BRIDGELUX VERO 13
Model
V2CRRU-1335K-M
Lumens
1142.59
Efficacy
77.56
SC
0.9906

Cone of Light



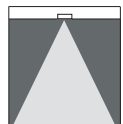
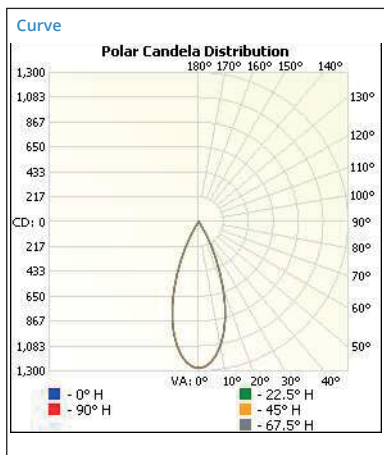
	Center Beam fc	Beam Width	
1.7	1040	1.0	1.0
3.3	276	2.0	2.0
5.0	120	3.0	3.0
6.7	57.0	4.0	4.0
8.3	43.6	5.0	5.0
10.0	30.1	6.0	6.0

Candela Table	
Degrees Vertical	Candela
0.0	3007
5.0	2837
10.0	2414
15.0	1729
20.0	1076
25.0	610
30.0	291
35.0	71
40.0	27
45.0	17
50.0	11
55.0	9
60.0	7
65.0	5
70.0	5
75.0	5
80.0	4
85.0	4
90.0	3

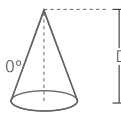
Zonal Lumen Summary		
Zone	Lumens	% Luminaire
0-30	1014.9	88.8
0-40	1086.6	95.1
10-60	1107.5	96.9
60-90	14.2	1.2
0-90	1121.7	98.2
90-180	20.9	1.8
0-180	1142.6	100.0

45° Distribution

Test Number
103233437CRT-008
Diver
BRIDGELUX VERO 13
Model
V2CRRU-0735K-W
Lumens
543.1
Efficacy
71.9
SC
0.863

Cone of Light



	Center Beam fc	Beam Width	
1.7	441	1.2	1.2
3.3	117	2.4	2.4
5.0	51.0	3.6	3.6
6.7	28.4	4.8	4.8
8.3	18.5	6.0	6.0
10.0	12.7	7.2	7.2

Candela Table	
Degrees Vertical	Candela
0.0	1274
5.0	1227
10.0	1092
15.0	885
20.0	625
25.0	352
30.0	140
35.0	19
40.0	8
45.0	4
50.0	1
55.0	0
60.0	0
65.0	0
70.0	0
75.0	0
80.0	0
85.0	0
90.0	0

Zonal Lumen Summary		
Zone	Lumens	% Luminaire
0-30	514.9	94.8
0-40	539.7	99.4
10-60	543.1	100.0
60-90	0.0	0.0
0-90	543.1	100.1
90-180	0.0	0.0
0-180	543.1	100.0