

Catalog #	Quantity
Project	
Notes	Date
Prepared by	



2" LED/Capela™

LED 2" Enclosed Micro Flange Downlight, 700-1300 Lumens

2700K 3000K 3500K 4000K



Features

Optics

Specular clear finish
Efficient optical design
15, 30, and 45 degree beam spreads
Frosted polycarbonate and Prismatic polycarbonate lenses

Controls

0-10V to 10% driver standard
0-10V to 1%, 0-10V to 0.1%, Lutron, & Triac/Forward phase options

Construction

Self-flanged or micro-flanged cold-rolled steel housing
Polyester powder coat
Torsion springs for maximum ceiling retention
IC-rated up to 2,000 lumens
Optional new construction frame with quick connect

Electrical

High flux CoB array
80+ CRI standard, 90+ CRI optional
2700K, 3000K, 3500K, 4000K standard
70% lumen maintenance at 50,000 hours
Tested according to LM-79 and LM-80 standards
120 – 277V Universal Input standard

Listings

ETL certified; wet location under covered ceiling
Meets UL 1598 and UL 8750 requirements
Energy Star certified
Buy American Act

Warranty

5-year limited warranty. Complete warranty terms located at:
<http://vantageltg.com/product-warranty/>

Ordering Information

EXAMPLE: V2CERM-0730K-L2071FR-SGC-MD-WHT

Series/Source	Voltage	Nominal Lumens	Kelvin	Reflector	Finish	Distribution	Flange Color	Options
V2CERM 2" round, Enclosed Micro Flange	U - 120V-277V 1 - 120 Volts ¹ 3 - 347 Volts ²	-07 - 700 -13 - 1300	27K - 2700K 30K - 3000K 35K - 3500K 40K - 4000K	L2071FR L2074P	SCL	N M W	WHT BLK	DL-2 ² DL-3 ² EM ² HCR LDE1 ² NCFAQ TDM ¹ XDM ² ZDM ²

Reflector Finish Options

SCL - Specular Clear

Lens Options

1FR - Frosted Polycarbonate
4P - Prismatic Polycarbonate

Distribution Options

N - 15° Distribution
M - 30° Distribution
W - 45° Distribution

Options

DL-2² - Lutron 2 wire Hi-Lume Dimming Driver
DL-3² - Lutron 3 wire Hi-Lume Dimming Driver
EM - Emergency battery back-up. Remote test button & indicator Light
HCR - 90+ CRI

LDE1² - Lutron EcoSystem Fade-to-Black™
NCFAQ - New Construction Frame Advanced Quick connect
TDM¹ - Triac Dimming Driver (Forward Phase)
XDM² - 0-10V 0.1% Dimming
ZDM² - 0-10V 1% Dimming

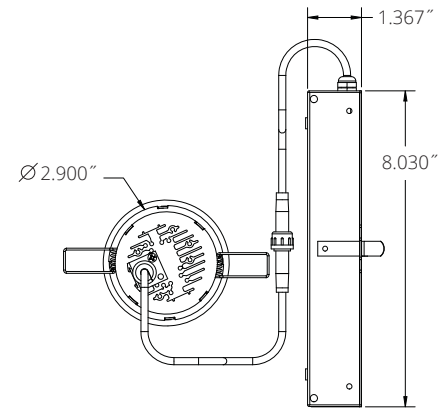
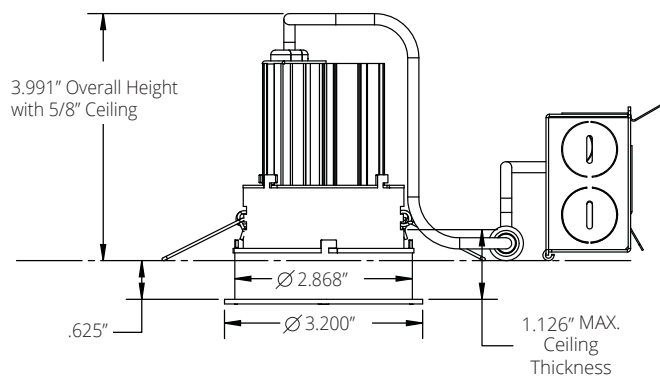
Notes

¹TDM - available only in 120V
²Lutron Drivers - please consult factory
³Step-down Transformer

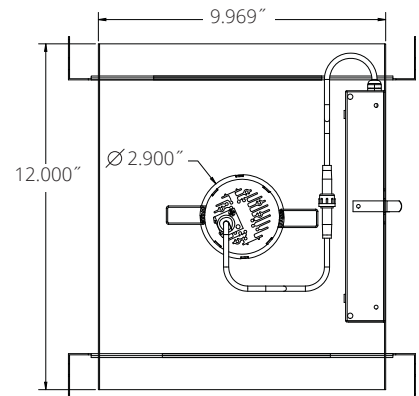
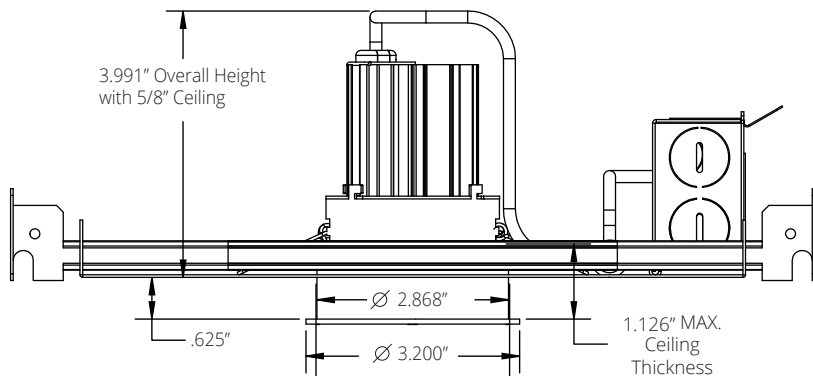
Vantage reserves the right to change components, finishes or design details in any manner which does not alter the installed appearance or reduce performance and intended function. | Capela™ is a trademark of Vantage Lighting.

Dimensional Data: LED 2" Enclosed Micro Flange Downlight

Ceiling Cut Out 2.900"



Ceiling Cut Out 2.900"



Lumens/Wattage

Nominal Lumens	Wattage*	CCT*
700	7.56	3500K
1300	12.7	3500K

*Actual Wattage/Lumens may vary.

Emergency Lumen Output

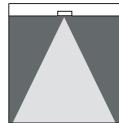
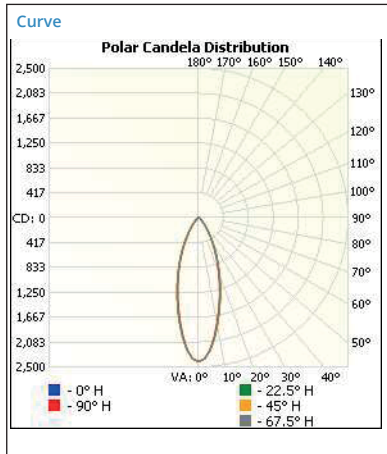
Nominal Lumens	Wattage*	CCT*
300	2.5	3500K

*Actual Wattage/Lumens may vary.

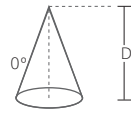
Photometrics

15° Distribution

Test Number
 103233437CRT-012
Diver
 BRIDGELUX VERO 13
Model
 V2CERU-1335-N
Lumens
 1238.4
Efficacy
 90.0
SC
 0.989

Cone of Light



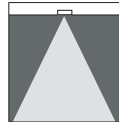
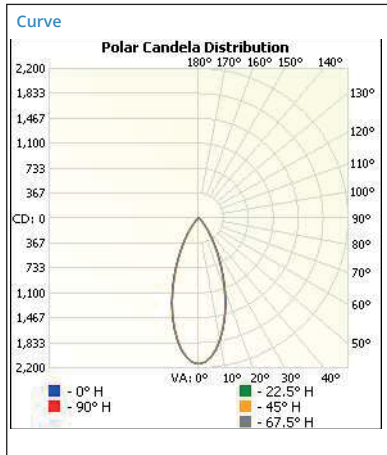
	Center Beam fc	Beam Width	
1.7	835	1.1	1.0
3.3	221	2.1	2.0
5.0	96.5	3.1	3.0
6.7	53.7	4.2	4.1
8.3	35.0	5.2	5.0
10.0	24.1	6.2	6.0

Degrees Vertical	Candela
0.0	2412
5.0	2224
10.0	1806
15.0	1386
20.0	1014
25.0	707
30.0	461
35.0	281
40.0	165
45.0	98
50.0	62
55.0	42
60.0	31
65.0	24
70.0	18
75.0	14
80.0	10
85.0	6
90.0	0

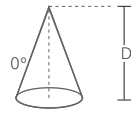
Zonal Lumen Summary		
Zone	Lumens	% Luminaire
0-30	900.7	72.7
0-40	1078.0	87.0
10-60	1195.3	96.5
60-90	43.1	3.5
0-90	1238.4	100.0
90-180	0.0	0.0
0-180	1238.4	100.0

30° Distribution

Test Number
 103233437CRT-008
Diver
 BRIDGELUX VERO 13
Model
 V2CERU-1335K-M
Lumens
 1248.7
Efficacy
 89.8
SC
 0.989

Cone of Light



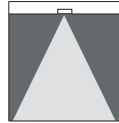
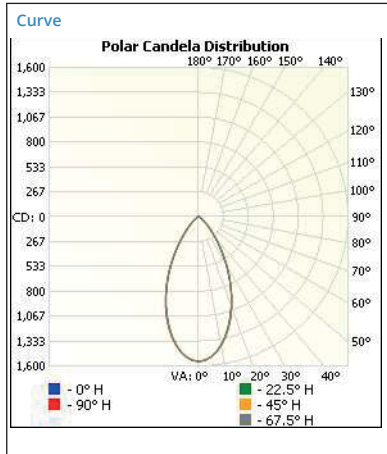
	Center Beam fc	Beam Width	
1.7	441	1.2	1.2
3.3	117	2.4	2.4
5.0	51.0	3.6	3.6
6.7	28.4	4.8	4.8
8.3	18.5	6.0	6.0
10.0	12.7	7.2	7.2

Degrees Vertical	Candela
0.0	1274
5.0	1227
10.0	1092
15.0	885
20.0	625
25.0	352
30.0	140
35.0	19
40.0	8
45.0	4
50.0	1
55.0	0
60.0	0
65.0	0
70.0	0
75.0	0
80.0	0
85.0	0
90.0	0

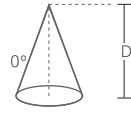
Zonal Lumen Summary		
Zone	Lumens	% Luminaire
0-30	850.4	65.0
0-40	1104.2	84.4
10-60	1274.1	97.4
60-90	33.9	2.6
0-90	1308.0	100.0
90-180	0.0	0.0
0-180	1308.0	100.0

45° Distribution

Test Number
 103233437CRT-008
Diver
 BRIDGELUX VERO 13
Model
 V2CERU-1335K-W
Lumens
 1308.0
Efficacy
 94.7
SC
 0.989

Cone of Light



	Center Beam fc	Beam Width	
1.7	536	1.6	1.6
3.3	142	3.2	3.2
5.0	62.0	4.8	4.9
6.7	34.5	5.5	5.5
8.3	22.5	8.0	8.1
10.0	15.5	9.6	9.7

Degrees Vertical	Candela
0.0	1550
5.0	1507
10.0	1392
15.0	1224
20.0	1020
25.0	807
30.0	591
35.0	393
40.0	240
45.0	138
50.0	78
55.0	46
60.0	28
65.0	19
70.0	13
75.0	8
80.0	4
85.0	2
90.0	0

Zonal Lumen Summary		
Zone	Lumens	% Luminaire
0-30	514.9	94.8
0-40	539.7	99.4
10-60	543.1	100.0
60-90	0.0	0.0
0-90	543.1	100.1
90-180	0.0	0.0
0-180	543.1	100.0