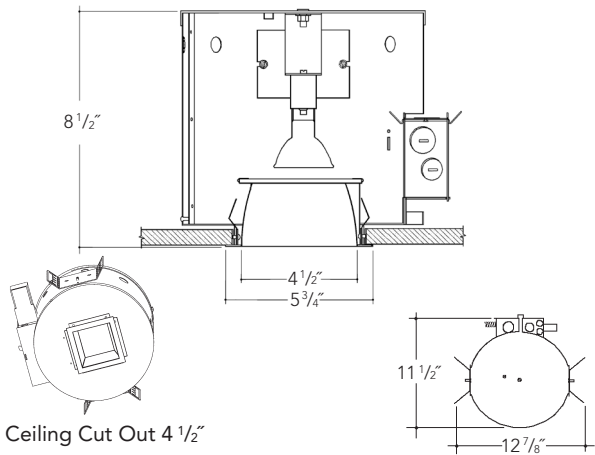


**DIMENSIONS**



Ceiling Cut Out 4 1/2"

**FEATURES**

Adjustable height electrogalvanized plated steel mounting ears with cutouts for various mounting methods. Standard bars (included) are innovative and incorporate rigid formed cross sections, joint positioning tabs, integral nails, auxiliary nailholes, T-Bar slots and holes for locking bars to T-Bar using #8 self-tapping screws (supplied by others). Bars extend 14"-24". Ears will also accept Caddy Bar #517B for fast installation in T-Bar ceilings, bars extend 27".

Heavy gauge electrogalvanized steel junction box, prewired and grounded with easy access from below. Listed for through branch circuit wiring. *UL Listed.* Thermal cutout provided.

*UL Listed* socket with 450°C high temperature leads. Lamp holder designed to accept several different types of lens accessories, clear tempered lens standard. (See Options)

Electronic 75VA 120V or 277V primary, 12V secondary. Removable from below. *UL Listed* component.

Housing is formed of heavy gauge electrogalvanized steel with integral venting for cool operation and extended lamp life.

Square "Alzak" aperture trim, die formed, mitered corners, self trimming flange and positive spring retention clips.

Integral 3/4" plaster frame.

**Features**



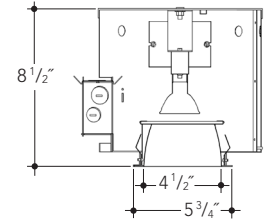
Manufactured and Listed to UL 1598, ETL and CSA standards.  
Suitable for Damp Locations.  
Wet location under covered ceiling.

**REFLECTOR KIT**

**OPEN**

Low Voltage 4" Aperture

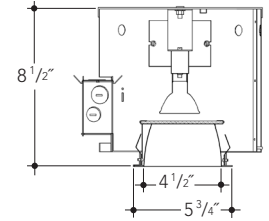
- VGS4400 4" x 4" Low Voltage
- Finish Options**
- SCL Specular Clear "Alzak"
- SGC Soft Glow Clear
- ECL Etch Clear
- WHT White Reflector
- Options**
- PF Polished Flange



**LENSED**

Low Voltage 4" Aperture

- VGS4411 Tempered Clear
- VGS4414 Tempered Prismatic
- VGS44FRO Frosted
- Reflector standard Clear "Alzak".  
Other options consult factory.*
- Splay/Lens Holder Finish Options**
- SCL Specular Clear "Alzak"
- SGC Soft Glow Clear
- ECL Etch Clear
- WHT White
- Options**
- PF Polished Flange



**ORDERING INFORMATION**

**EXAMPLE: VGS44LV1-VGS4400-SCL**

Lamps and Wattage	Housing	Reflector	Finish	Options
MR16 75 (MAX)	VGS44LV1 VGS44LV2	VGS4400 Lensed VGS4411 VGS4414 VGS44FRO	SCL SGC ECL WHT	PF TR GSK DGSK

**Voltage Descriptions**

- 1 - 120 Volts
- 2 - 277 Volts

**Options Descriptions**

- PF - Polished Flange
- TR - Tamper Resistant
- GSK - Neoprene Foam Gasketing
- DGSK - Silicone-Sealed Lens & Gasketing

Vantage reserves the right to change components, finishes or design details in any manner which does not alter the installed appearance or reduce performance and intended function.

**▲ See Options pages for other options and finishes.  
Vantage recommends the use of Philips or Sylvania lamps.**