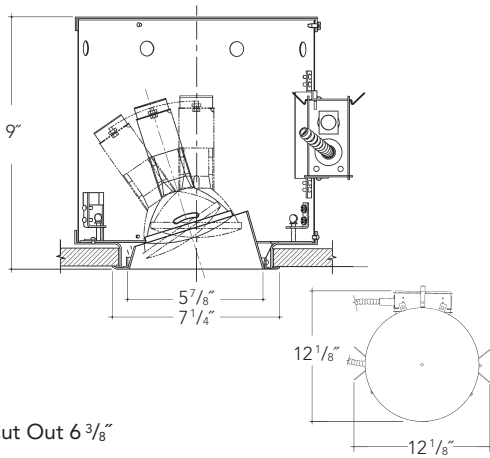


**DIMENSIONS**



Ceiling Cut Out 6 3/8"

**FEATURES**

Adjustable height electrogalvanized plated steel mounting ears with cutouts for various mounting methods. Standard bars (included) are innovative and incorporate rigid formed cross sections, joist positioning tabs, integral nails, auxiliary nailholes, T-Bar slots and holes for locking bars to T-Bar using #8 self-tapping screws (supplied by others). Bars extend 14"-24". Ears will also accept Caddy Bar #517B for fast installation in T-Bar ceilings, bars extend 27".

Heavy gauge electrogalvanized steel junction box, prewired and grounded with easy access from below. Listed for through branch circuit wiring. *UL Listed* thermal cutout provided.

Specification grade glazed porcelain socket with nickel plated brass screw shell. *UL Listed*. Adjustable yolk for 358° rotation and 35° elevation.

Heavy gauge spun aluminum angle cut "Alzak" cone. Internal heat treated spring steel clips hold reflector tight to ceiling. White painted flange standard. Polished Flange available.

Steel housing wrap with interlocking seams for strength. Housing is top relampable. Housing cap is aluminum to allow heat transfer for maximum lamp life.

Integral plaster ring.

**Features**



Manufactured and Listed to UL 1598, ETL and CSA standards.  
Suitable for Damp Locations.  
Wet location under covered ceiling.

**REFLECTOR KIT**

**OPEN - ANGLE CUT "ALZAK" CONE**

Adjustable, Angle Cut "Alzak" Cone 6" Aperture

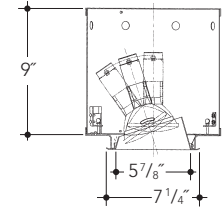
6030 Angle Cut Cone (0°-45°)

**Finish Options**

- SCL Specular Clear "Alzak"
- SGC Soft Glow Clear
- ECL Etch Clear
- WHT White Reflector

**Options**

- PF Polished Flange



**OPEN - STRAIGHT CUT CONE**

Adjustable, Straight Cut Cone 6" Aperture

6060 Straight Cut Cone (0°)

**Finish Options**

- SCL Specular Clear "Alzak"
- SGC Soft Glow Clear
- ECL Etch Clear
- WHT White Reflector

**Options**

- PF Polished Flange

**SPREAD LENS WALL WASH**

Adjustable, Angle Cut "Alzak" Cone 55° Spread Lens 6" Aperture

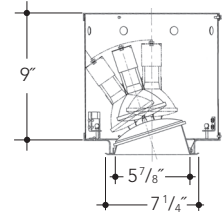
6037 Spread Lens Wall Wash

**Finish Options**

- SCL Specular Clear "Alzak"
- SGC Soft Glow Clear
- ECL Etch Clear
- WHT White Reflector

**Options**

- PF Polished Flange



**ORDERING INFORMATION**

EXAMPLE: PA6INCADJ50-6030-SCL

| Lamps and Wattage | Housing         | Reflector             | Finish | Baffle | Options |
|-------------------|-----------------|-----------------------|--------|--------|---------|
| 100 PAR30 (MAX)   | PA6INC-ADJ      | Angle Cut Cone        | SCL    | BL     | F       |
| 75 PAR30♣         | PA6INC-ADJ-GU24 | 6030                  | SGC    | WH     | PF      |
| 75 PAR16          | PA6INC-FIX      | Straight Cut Cone     | ECL    |        | GSK     |
| 50 PAR20          | PA6INC-FIX-GU24 | 6060                  | WHT    |        | 277V SD |
| 50 R20            |                 | Spread Lens Wall Wash |        |        | 347V SD |
| ♣ Long Neck Only  |                 | 6037                  |        |        |         |

**Options Descriptions**

- F - Fused
- PF - Polished Flange
- GSK - Neoprene Foam Gasketing
- 277V SD - Step Down Transformer
- 347V SD - Step Down Transformer

Vantage reserves the right to change components, finishes or design details in any manner which does not alter the installed appearance or reduce performance and intended function.

▲ See Options pages for other options and finishes. Suitable for use with LED lamps.