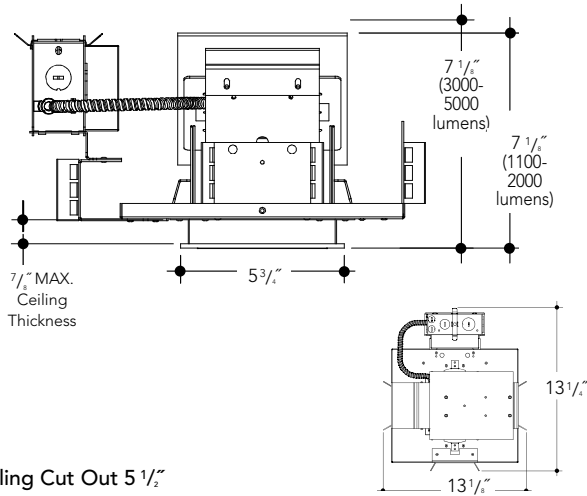


**DIMENSIONS**



Ceiling Cut Out 5 1/2"

**FEATURES**

**Fortimo LED DLM Flex Systems**

New Fortimo LED Downlight Module (DLM) Flex systems now provide the latest advances, including high quality LED options to satisfy both functional and performance requirements along with excellent energy efficiency and color consistency. For practical and general lighting applications, the Fortimo LED DLM Flex Module is an excellent solution.

Its direct white mid-power LED technology combines high light quality and energy efficiency levels over 100 Lm/W, offering superior price/performance along with low maintenance costs and a long lifetime of 50,000 hours. Wide range of lumen packages are available: 1100, 1500, 2000, 3000, 4000 and 5000.

**Features and Benefits**

- High energy efficiency system up to 107 lm/W.
- Wide range of lumen packages from 1100-5000 lm.
- High quality of light with CRI 80 and 3 SDCM color consistency.
- Philips Xitanium driver features internal thermal protection and 0-10V dimming to 1% of lumen output.
- Input volts 120-277V.
- Minimum 50,000 hours of life at L<sub>70</sub> standard.
- Smart systems with Philips Advance Xitanium drivers.
- 5 year warranty on LED module and driver.

**Frame**

Heavy duty galvanized steel components including frame, adjustable mounting ears and junction box. Fixture is pre-wired and grounded with easy access from below, listed for through branch circuit wiring.

Standard mounting bars (included) incorporate rigid formed cross sections and include joist positioning tabs, integral nails, auxiliary nailholes, T-Bar slots and holes for locking to grid using self-tapping screws (supplied by others). Mounting ears will accept our standard bars (14"-24" ext), optional Caddy #517B (27" ext) and other mounting methods.

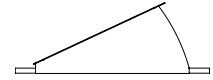
Insulation must be kept 3" away from fixture. Listed for damp locations.

**REFLECTOR KIT**

**LENSED WALL WASH - LED - SQUARE**

LED - Square 4.5" Aperture

LSQ4437-1(X) Alzak  
add lens suffix see below



All trims supplied standard with white painted flange.



**ORDERING INFORMATION**

EXAMPLE: SQ44LEDWWP1-1127K-LSQ4437-11-SCL-DL-3



Manufactured and Listed to UL 1598, ETL and CSA standards. Suitable for Damp Locations. Wet location under covered ceiling.



| Wattage LED | Housing    | Voltage | Lumens     | Kelvin      | Reflector    | Lens | Finish | Options |
|-------------|------------|---------|------------|-------------|--------------|------|--------|---------|
| See Chart   | SQ44LEDWWP | 1       | -11 = 1100 | 27K = 2700K | LSQ4437-1(X) | 1    | SCL    | AT      |
| Below       |            | 2       | -15 = 1500 | 30K = 3000K |              | 1P   | SGC    | DL-3    |
|             |            |         | -20 = 2000 | 35K = 3500K |              | 1FR  | ECL    | DL-2    |
|             |            |         | -30 = 3000 | 40K = 4000K |              | 4P   | WHT    | EM      |
|             |            |         | -40 = 4000 |             |              | 2D   |        | PF      |
|             |            |         | -50 = 5000 |             |              | 4D   |        | TDM     |
|             |            |         |            |             |              | 6D   |        |         |
|             |            |         |            |             |              | 8D   |        |         |

| Lumens  | Wattage* |
|---------|----------|
| 1100-3K | 10.8     |
| 1100-4K | 10.3     |
| 1500-3K | 15.1     |
| 1500-4K | 14.4     |
| 2000-3K | 20.6     |
| 2000-4K | 19.6     |
| 3000-3K | 30.8     |
| 3000-4K | 29.3     |
| 4000-3K | TBD      |
| 4000-4K | TBD      |
| 5000-3K | 52.8     |
| 5000-4K | 50.2     |

\*Actual Wattage/Lumens may vary.

|                        |                        |
|------------------------|------------------------|
| <b>Voltage</b>         | <b>Lens</b>            |
| 1 - 120 Volts          | 1 Clear Glass          |
| 2 - 277 Volts          | 1P Clear Polycarbonate |
| 3 - 347 Volt -         | 1FR Frosted            |
| Please Consult Factory | 4P Prismatic Acrylic   |

|                           |                             |
|---------------------------|-----------------------------|
| <b>Special Optics</b>     | <b>Options</b>              |
| 2D - Optical Diffuser-20° | AT - Airtight               |
| 4D - Optical Diffuser-40° | DL-3 - Lutron 3-Wire        |
| 6D - Optical Diffuser-60° | DL-2 - Lutron 2-Wire        |
| 8D - Optical Diffuser-80° | Not available on 5000 Lumen |
|                           | EM - Emergency Battery      |
|                           | PF - Polished Flange        |
|                           | TDM - Triac Dimming Driver  |

Vantage reserves the right to change components, finishes or design details in any manner which does not alter the installed appearance or reduce performance and intended function.

▲ See Options pages for other options and finishes.