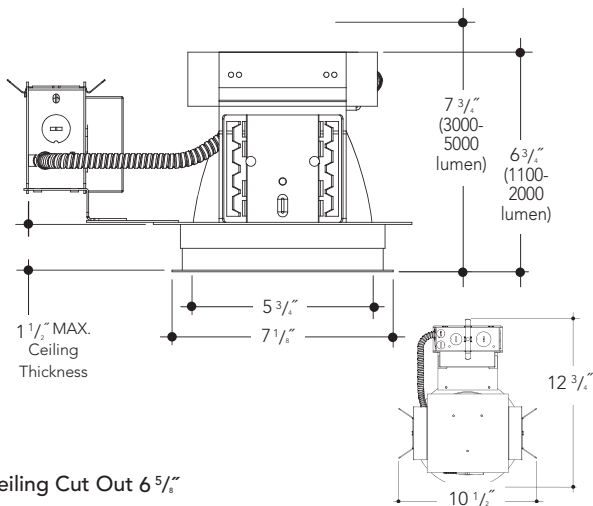


Project Name: \_\_\_\_\_ Type: \_\_\_\_\_

**DIMENSIONS**



Ceiling Cut Out 6 5/8"

**FEATURES**

**Fortimo LED DLM Flex Systems**

New Fortimo LED Downlight Module (DLM) Flex systems now provide the latest advances, including high quality LED options to satisfy both functional and performance requirements along with excellent energy efficiency and color consistency. For practical and general lighting applications, the Fortimo LED DLM Flex Module is an excellent solution.

Its direct white mid-power LED technology combines high light quality and energy efficiency levels over 100 Lm/W, offering superior price/performance along with low maintenance costs and a long lifetime of 50,000 hours. Wide range of lumen packages are available: 1100, 1500, 2000, 3000, 4000 and 5000.

**Features and Benefits**

- High energy efficiency system up to 107 lm/W.
- Wide range of lumen packages from 1100-5000 lm.
- High quality of light with CRI 80 and 3 SDCM color consistency.
- Philips Xitanium driver features internal thermal protection and 0-10V dimming to 1% of lumen output.
- Input volts 120-277V.
- Minimum 50,000 hours of life at L<sub>70</sub> standard.
- Smart systems with Philips Advance Xitanium drivers.
- 5 year warranty on LED module and driver.

**Frame**

Heavy duty galvanized steel components including frame, adjustable mounting ears and junction box. Fixture is pre-wired and grounded with easy access from below, listed for through branch circuit wiring.

Standard mounting bars (included) incorporate rigid formed cross sections and include joist positioning tabs, integral nails, auxiliary nailholes, T-Bar slots and holes for locking to grid using self-tapping screws (supplied by others). Mounting ears will accept our standard bars (14"-24" ext), optional Caddy #517B (27" ext) and other mounting methods.

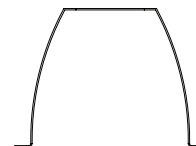
Insulation must be kept 3" away from fixture. Listed for damp locations.

**REFLECTOR KIT**

**OPEN - LED - ROUND**

LED 6" Aperture

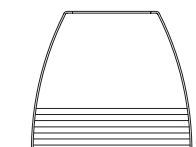
- L6060 6" LED Open Round
- Finish Options**
- SCL Specular Clear "Alzak"
  - SGC Soft Glow Clear
  - ECL Etch Clear
  - WHT White Reflector
- Options**
- PF Polished Flange



**OPEN BAFFLED - LED - ROUND**

LED 6" Aperture

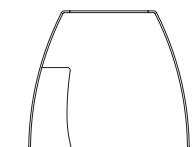
- L6050 6" LED Open Baffled Round
- Finish Options**
- Specify reflector finish option - see above, then add baffle finish color.
- BL Black Baffle
  - WH White Baffle



**WALL WASH - LED - ROUND**

LED 6" Aperture

- L6160 6" LED Wall Wash Round
- Finish Options**
- SCL Specular Clear "Alzak"
  - SGC Soft Glow Clear
  - ECL Etch Clear
  - WHT White Reflector
- Options**
- PF Polished Flange



All trims supplied standard with white painted flange.



Manufactured and Listed to UL 1598, ETL and CSA standards. Suitable for Damp Locations. Wet location under covered ceiling.

**ORDERING INFORMATION**

EXAMPLE: A6VOLED1-2035K-L6060-SCL

Wattage LED	Housing	Voltage	Lumens	Kelvin	Reflector	Finish	Baffle	Options
See Chart Below	A6VOLED	1	-11 = 1100	27K = 2700K	L6060	SCL	BL	DL-3
		2	-15 = 1500	30K = 3000K	Baffled	SGC	WH	DL-2
			-20 = 2000	35K = 3500K	L6050	ECL		EM
			-30 = 3000	40K = 4000K	Wall Wash	WHT		PF
			-40 = 4000		L6160			R
			-50 = 5000					RETRO
								TDM
								Shower Light
								Only
								AT
								IC

Lumens	Wattage*
1100-3K	10.8
1100-4K	10.3
1500-3K	15.1
1500-4K	14.4
2000-3K	20.6
2000-4K	19.6
3000-3K	30.8
3000-4K	29.3
4000-3K	TBD
4000-4K	TBD
5000-3K	52.8
5000-4K	50.2

\*Actual Wattage/Lumens may vary.

Voltage	Options
1 - 120 Volts	AT - Air Tight Rating
2 - 277 Volts	DL-3 - Lutron 3-Wire
3 - 347 Volt - Please Consult Factory	DL-2 - Lutron 2-Wire
	Not available on 5000 Lumen
	EM - Emergency Battery
	IC - IC Rated Construction
	PF - Polished Flange
	R - Remodeler
	RETRO - Retro
	TDM - Triac Dimming Driver

Vantage reserves the right to change components, finishes or design details in any manner which does not alter the installed appearance or reduce performance and intended function.

\*See LED-DD page for decorative trims options.  
▲ See Options pages for other options and finishes.